

# JVC

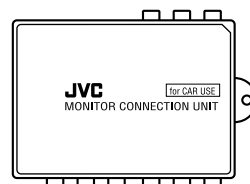
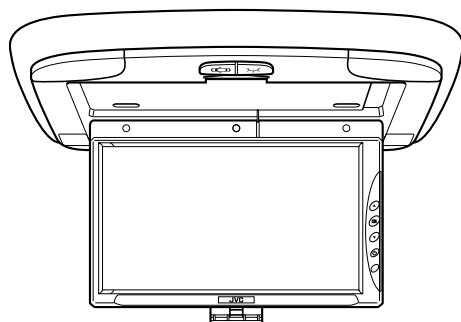
## SERVICE MANUAL

9-INCH WIDE COLOR MONITOR

### KV-MR9000

#### Area Suffix

J ----- Northern America  
E ----- Continental Europe  
U ----- Other Areas



#### TABLE OF CONTENTS

1	PRECAUTION.....	1-3
2	SPECIFIC SERVICE INSTRUCTIONS.....	1-4
3	DISASSEMBLY.....	1-5
4	ADJUSTMENT.....	1-13
5	TROUBLESHOOTING.....	1-14

# SPECIFICATION

<b>WIDE COLOR MONITOR</b>		
Display	9 inch Liquid crystal panel	
Number of Pixel	336,960 pixels (480 vertical × 234 horizontal × 3)	
Drive Method	TFT (Thin Film Transistor) active matrix format	
Cordless Audio	Infrared audio transmitter (Support IR receiver stereo headphones)	
L-channel	2.3 MHz	
R-channel	2.8 MHz	
Effective listening angle	30°	
Effective range	4 m (13.1 ft)	
Dimensions (W × H × D)	314mm × 38mm × 257mm (12-3/8" × 1-1/2" × 10-1/8") including Shroud	
Mass	1.2 kg (2.7 lbs) including Shroud	
<b>MONITOR CONNECTION UNIT</b>		
Input	Video	RCA pin × 2 circuits 1 V(p-p), 75 Ω Audio RCA pin × 2 circuits 0.5 V(rms)
	Tuner	8-pin DIN connector (only for JVC's KV-C10) Output
	Display	13-pin DIN connector
	Video	RCA pin × 1 circuit 1 V(p-p), 75 Ω
	Audio	RCA pin × 1 circuit 1 0.5 V(rms)
Dimensions (W × H × D)	108.5mm × 28.5mm × 78mm (4-5/16" × 1-1/8" × 3-1/8") excluding projections	
Mass	160 g (0.36 lbs)	
<b>GENERAL</b>		
Power Requirement	Operating Voltage	DC 14.4 V (11 V to 16 V allowance)
	Grounding System	Negative ground
	Allowable Operating Temperature	0°C to +40°C (32°F to 104°F)
	Allowable Storage Temperature	-20°C to +80°C (-4°F to 176°F) Ceiling light bulb12V/3W
ACCESSORIES	Metal plate × 1, Shroud × 1, Extension cord × 1, Power cord × 1, Ceiling light cord × 1, Remote controller(with the battery) × 1, Screw(M4 × 5mm)(M4 × 1/4") × 4, Screw(M4 × 12mm)(M4 × 1/2") × 4	

Design and specifications are subject to change without notice.

The liquid crystal panel is built with very high precision technology and has at least 99.99% precision technology and has at least 99.99% effective image pixels. Be aware that on 0.01% of the panel there may be missing pixels or constantly lit pixels.

# SECTION 1 PRECAUTION

## 1.1 Safety Precautions



**CAUTION** Burrs formed during molding may be left over on some parts of the chassis. Therefore, pay attention to such burrs in the case of performing repair of this system.

## **SECTION 2 SPECIFIC SERVICE INSTRUCTIONS**

This service manual does not describe SPECIFIC SERVICE INSTRUCTIONS.

## SECTION 3 DISASSEMBLY

### 3.1 Base cover section

#### 3.1.1 Removing the base cover assembly (See Figs.1 to 2)

- (1) Move the monitor unit in the direction arrow.
- (2) Remove the four screws **A** attaching the base cover assembly.

#### REFERENCE:

Reassembly of the base cover assembly  
Before attaching the base cover, put the cable through the hole **a** of the shroud. (See Fig.2)

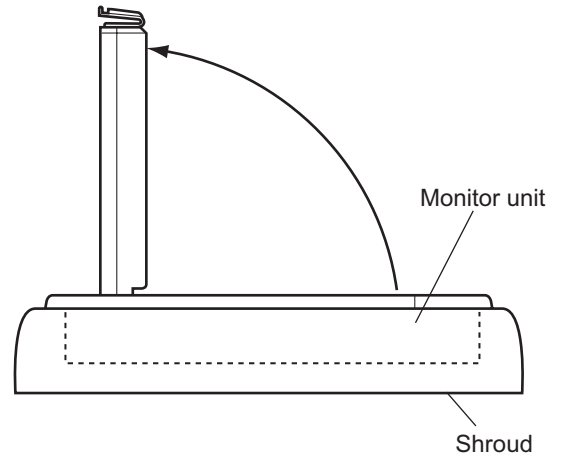


Fig.1

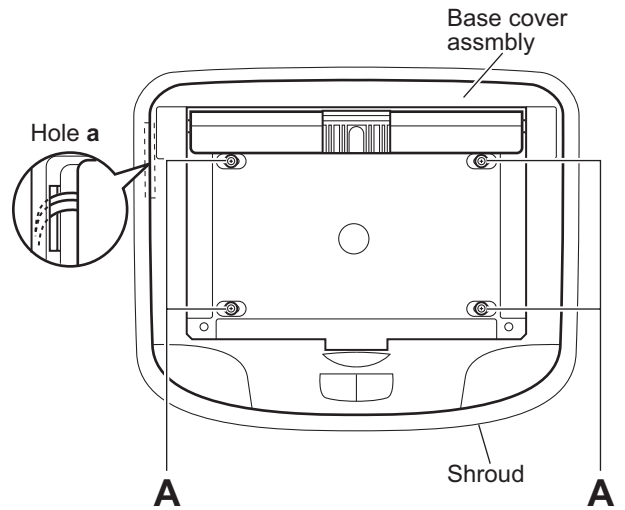


Fig.2

### 3.1.2 Removing the monitor unit (See Figs.3 to 5)

- Prior to performing the following procedure, remove the base cover assembly.
  - (1) Release the four claws **b** attaching the shaft cover.
  - (2) Remove the four screws **B** attaching the hinge on the base cover assembly.
  - (3) Remove the two screws **C** attaching the connect board on the back of the base cover assembly.
  - (4) Disconnect the two connectors **B1** and **B2** on the connect board.

#### REFERENCE:

Reassembly of the monitor unit section

Before attaching the monitor unit, put the flexible wire through the hole **c** of the base cover assembly. (See Fig.3)

### 3.1.3 Removing the connect board (See Fig.5)

- Prior to performing the following procedure, remove the base cover assembly.
  - (1) Remove the two screws **C** attaching the connect board on the base cover assembly.
  - (2) Disconnect the two connectors **B1**, **B2**, **CON1** and **CON2** on the connect board.

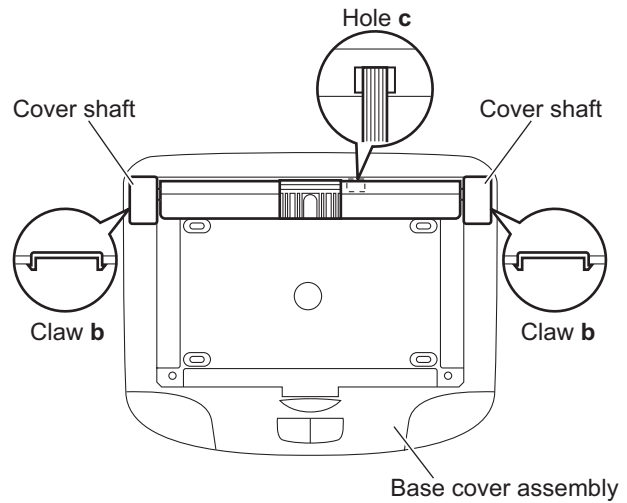


Fig.3

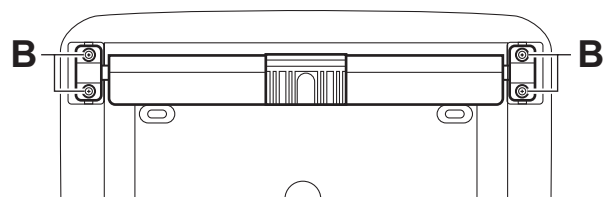


Fig.4

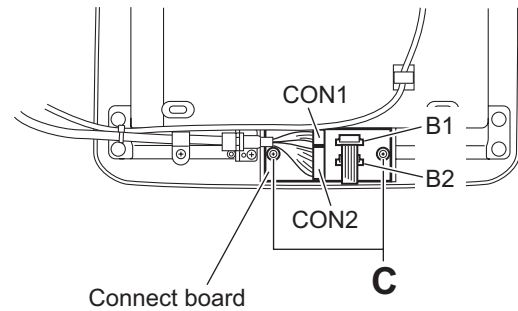


Fig.5

### 3.1.4 Removing the lamp control board (See Fig.6)

- Prior to performing the following procedure, remove the base cover assembly.
  - (1) Disconnect the three connectors [B3](#), [B4](#) and [B6](#) on the lamp control board.
  - (2) Remove the three screws **D** attaching the lamp control board on the base cover assembly.

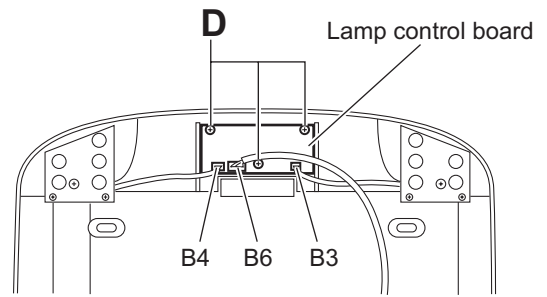


Fig.6

### 3.1.5 Removing the lamp bulb(L) and lamp bulb(R) board (See Figs.7 to 8)

- Prior to performing the following procedure, remove the base cover assembly.
  - (1) Remove the two screws **E** and four screws **F** attaching the acryl covers(L) and (R) on the back of the base cover assembly.
  - (2) Disconnect the two connectors [B3](#) and [B4](#) on the lamp control board.
  - (3) Remove the lamp bulb board(L) and lamp bulb board(R) in the direction arrow.

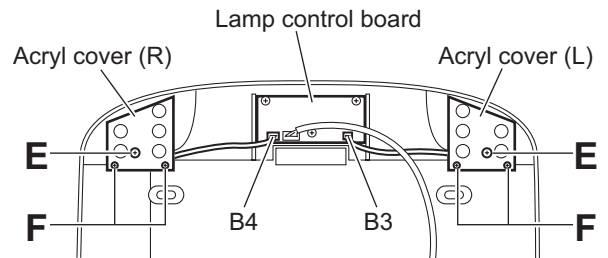


Fig.7

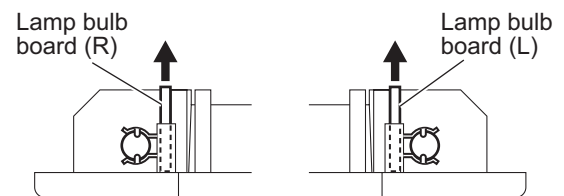
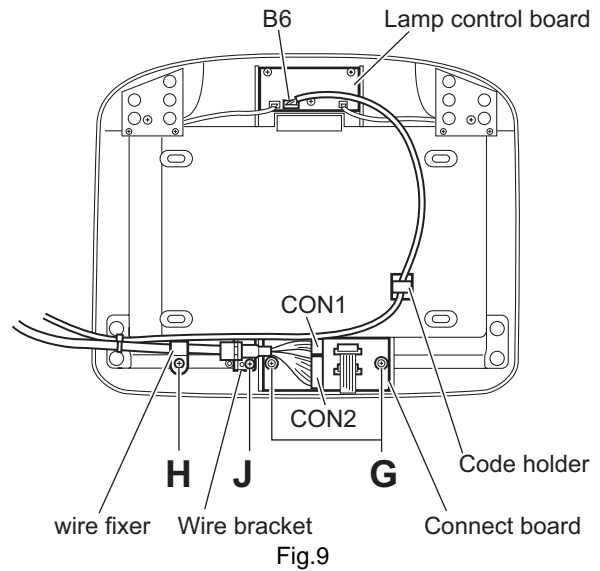


Fig.8

### 3.1.6 Removing the cable assembly (See Fig.9)

- Prior to performing the following procedure, remove the base cover assembly.
  - (1) Remove the two screws **G** attaching the connect board on the back of the base cover assembly.
  - (2) Remove the screw **H** and screw **J** attaching the wire bracket and wire fixer on the base cover assembly.
  - (3) Disconnect the two connectors **CON1** and **CON2** on the connect board.
  - (4) Disconnect the connector **B6** on the lamp control board.
  - (5) Remove the cable attaching the wire bracket and wire fixer on the base cover assembly.



### 3.1.7 Removing the lamp bulb (See Figs.10 to 11)

- Prior to performing the following procedure, remove the base cover assembly.
  - (1) Release the two claws **d** attaching the lamp cover(L) and lamp cover (R), remove the base cover assembly.
  - (2) Remove the lamp bulb attaching the lamp holder.

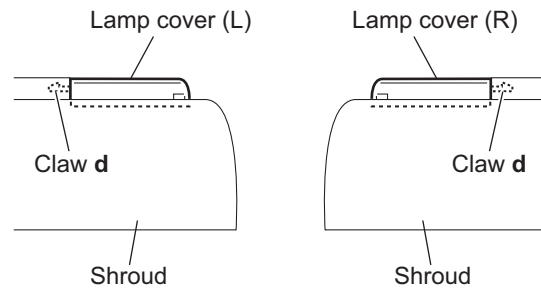


Fig.10

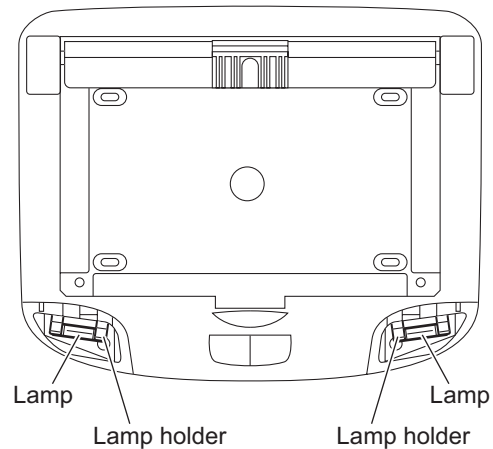


Fig.11



### 3.2 Shroud section

#### 3.2.1 Removing the metal plate (See Fig.12)

- (1) Remove the four screws **K** attaching the metal plate on the shroud.

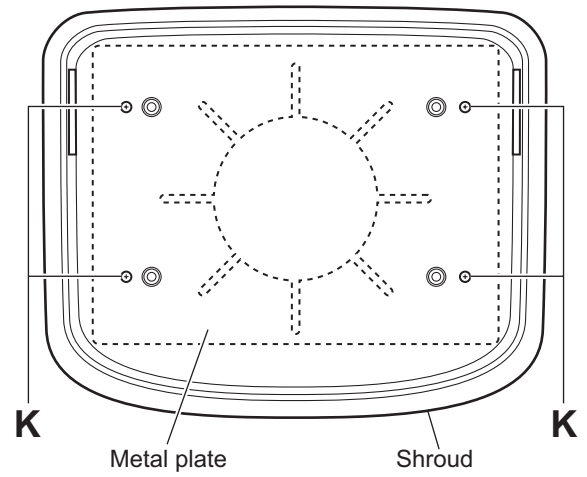
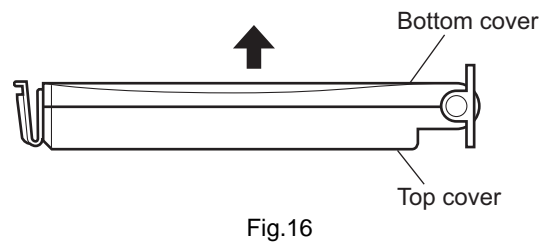
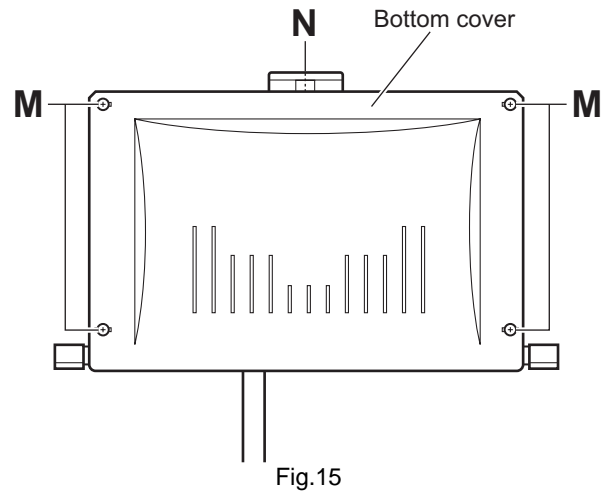
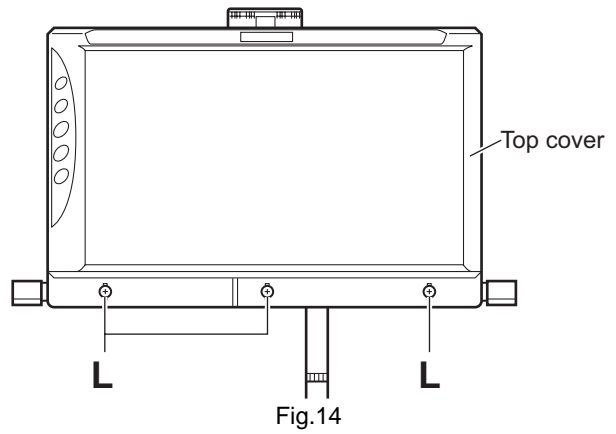
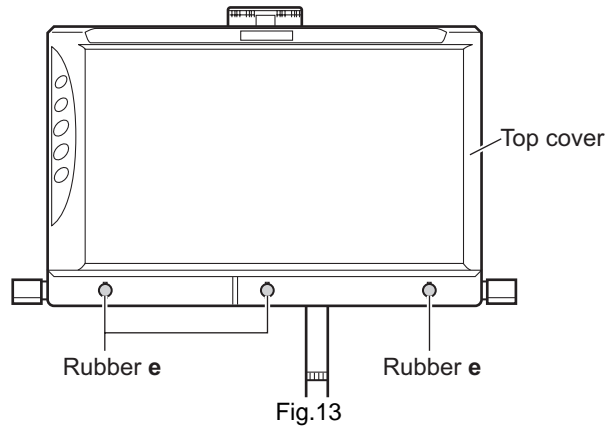


Fig.12

### 3.3 Monitor unit section

#### 3.3.1 Removing the bottom cover (See Fig.13 to 16)

- (1) Remove the three rubbers **e** attaching the top cover.
- (2) Remove the three screws **L** attaching the top cover on the bottom cover.
- (3) Remove the four screws **M** and screw **N** attaching the bottom cover.
- (4) Release the bottom cover in the direction arrow.



### 3.3.2 Removing the monitor board (See Fig.17)

- Prior to performing the following procedure, remove the bottom cover.
  - (1) Disconnect the connectors [B1](#), [B2](#) and [CON2](#) on the monitor board.
  - (2) Disconnect the connector [M1](#), [B3](#) and [W1](#) on the monitor board.
  - (3) Remove the solder from the ground wire [f](#) on the back of panel.
  - (4) Remove the four screws [P](#) attaching the monitor board.

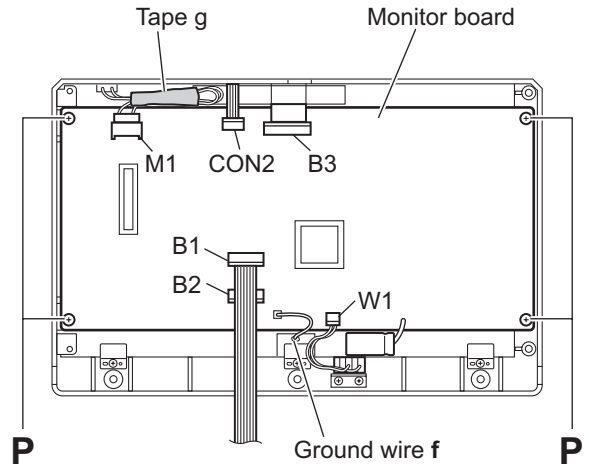


Fig.17

### 3.3.3 Removing the panel (See Fig.18)

- Prior to performing the following procedure, remove the bottom cover.
  - (1) Remove the three screws [Q](#) attaching the lcd bracket on the top cover.
  - (2) Remove the screw [R](#) attaching the panel.
  - (3) Remove the two screws [S](#) attaching the lcd bracket on the top cover.
  - (4) Release the PC shield plate from flexible wire [h](#), flexible wire [j](#).

**CAUTION:**

Be careful when release the PC shield plate do not damage flexible wires.(See Fig.18)

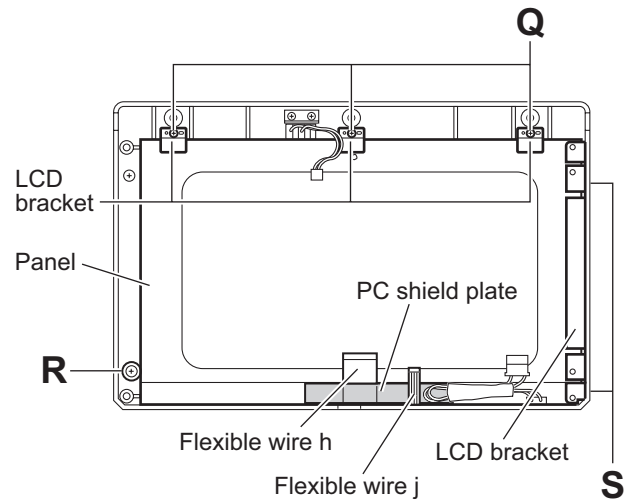


Fig.18

### 3.3.4 Removing the mico switch bracket (See Fig.19)

- Prior to performing the following procedure, remove the bottom cover.
  - (1) Disconnect the connector [W1](#) on the monitor board.
  - (2) Remove the two screws [T](#) attaching the mico switch bracket on the top cover.

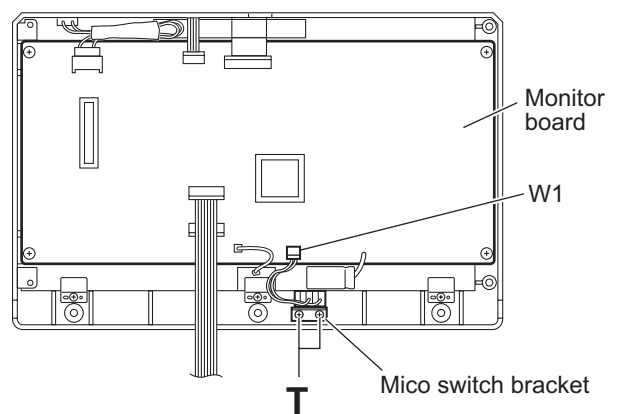
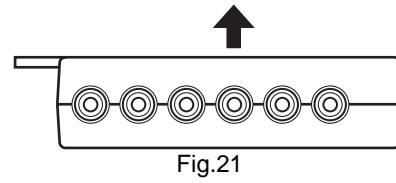
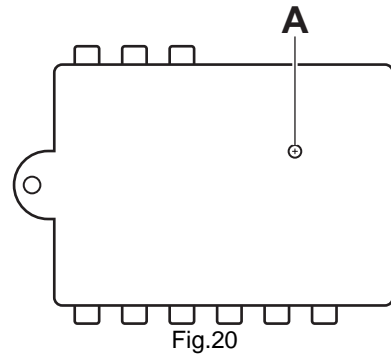


Fig.19

### 3.4 Monitor connection box section

#### 3.4.1 Monitor connection box (Figs.20 to 21)

- (1) Remove the screws **A** attaching the monitor connectoin box.
- (2) Release the bottom cover in the direction arrow.



## **SECTION 4 ADJUSTMENT**

This service manual does not describe ADJUSTMENT.

## **SECTION 5 TROUBLESHOOTING**

This service manual does not describe TROUBLESHOOTING.





**JVC**

VICTOR COMPANY OF JAPAN, LIMITED

AV & MULTIMEDIA COMPANY MOBILE ENTERTAINMENT CATEGORY 10-1,1chome,Ohwatari-machi,Maebashi-city,371-8543,Japan

(No.49785)



Printed in Japan  
WPC



# PARTS LIST

[ KV-MR9000 ]

\* All printed circuit boards and its assemblies are not available as service parts.

## Area suffix

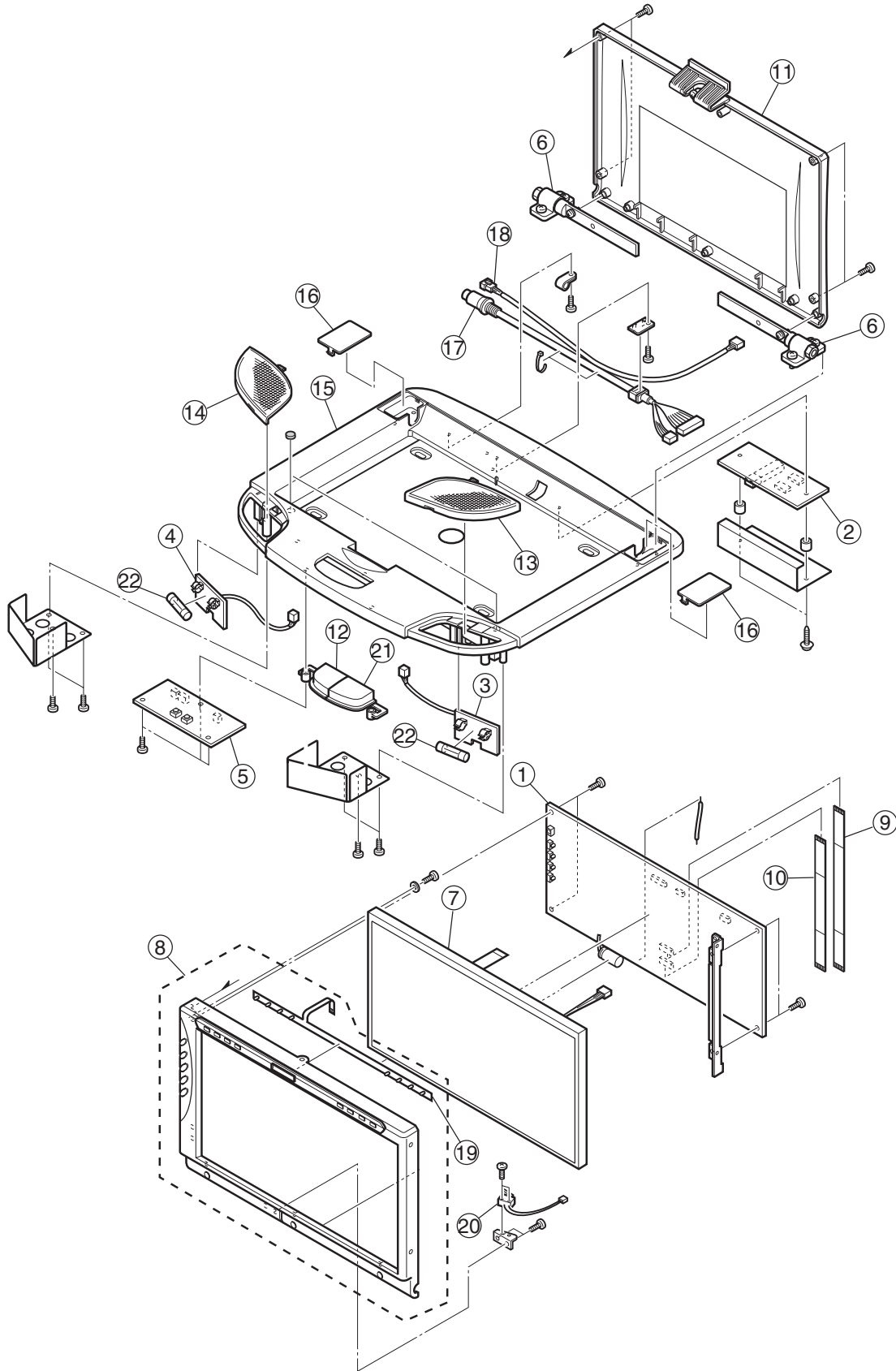
E ----- Continental Europe  
J ----- Northern America  
U ----- Other Areas

## - Contents -

Exploded view of general assembly and parts list (Block No.M1) .....	3- 2
Electrical parts list (Block No.01~04) .....	3- 4
Packing materials and accessories parts list (Block No.M3) .....	3-10

# Exploded view of general assembly and parts list

Block No. M 1 M M



# General assembly

Block No. [M][1][M][M]

△ Symbol No.	Part No.	Part Name	Description	Local
1	CB-MR9000JEU	MAIN PCB ASSY		
2	CB-MR9000CON	CONNECT.PCB ASSY		
3	CB-MR9000LAMP-L	LAMP P.C.B.ASSY		
4	CB-MR9000LAMP-R	LAMP P.C.B.ASSY		
5	CB-MR9000SW	SWITCH PCB ASSY		
6	MR9000-CLA	CLUTCH ASSY	(x2)	
7	MR9000-LCD	LCD.P.C.B.ASSY		
8	MR9000-FPA	FRONT PANEL ASSY		
9	PU191070V01	FPC		
10	PU191071V01	FPC		
11	PUPL01012910	BOTTOM COVER		
12	PUPL02002711	LAMP KEY		
13	PUPL04001510	LAMP COVER L		
14	PUPL04001610	LAMP COVER R		
15	PUPL05002312	BASE COVER		
16	PUPL10003914	COVER SHAFT	(x2)	
17	PU141690	CABLE		
18	PU14116301	CONNECTOR WIRE		
19	PUPL04005310	FLAT WIRE		
20	PU311004	MICRO SW		
21	PUPL02002812	DOOR KEY		
△ 22	PU312003	FUSE	(x2)	

# Electrical parts list

## Monitor board

Block No. [0][1][0][0]

△ Symbol No.	Part No.	Part Name	Description	Local
Q1	PU62KN3904S	TRANSISTOR		
Q2	PU622SC4672	TRANSISTOR		
Q3	PU622SC4672	TRANSISTOR		
Q4	PU622SD1048	TRANSISTOR		
Q5	PU622SD1048	TRANSISTOR		
Q6	PU622SC2712GR	TRANSISTOR		
Q7	PU622SC2712GR	TRANSISTOR		
Q8	PU622SA1797	TRANSISTOR		
Q9	PU62KN3904S	TRANSISTOR		
Q11	PU62KN3906S	TRANSISTOR		
Q12	PU622SC2712GR	TRANSISTOR		
Q14	PU62KN3904S	TRANSISTOR		
Q15	PU62KN3904S	TRANSISTOR		
Q16	PU62KN3906S	TRANSISTOR		
Q17	PU62KN3904S	TRANSISTOR		
Q105	PU62KN3904S	TRANSISTOR		
Q106	PU62KN3904S	TRANSISTOR		
Q108	PU62KN3904S	TRANSISTOR		
Q301	PU62KTC2022	TRANSISTOR		
Q414	PU622SA1182	TRANSISTOR		
Q501	PU62DTC124EKA	TRANSISTOR		
Q502	PU62DTC124EKA	TRANSISTOR		
Q503	PU62DTC124EKA	TRANSISTOR		
Q510	PU622SA1797	TRANSISTOR		
Q511	PU62KN3904S	TRANSISTOR		
Q604	PU622SC2412KR	TRANSISTOR		
Q610	AIC1732-33CX	IC		
Q660	PU622SA1037AKR	TRANSISTOR		
Q701	PU622SC2412KR	TRANSISTOR		
Q702	PU622SA1037AKR	TRANSISTOR		
Q703	PU62IMZ1A	TRANSISTOR		
Q770	PU622SA1037AKR	TRANSISTOR		
D1	PU6114Z12V0S	Z DIODE		
D2	PU6112Z6V8S	Z DIODE		
D3	PU6112Z5V6S	Z DIODE		
D4	PU6114Z7V5S	Z DIODE		
D6	PU611SS356	FR DIODE		
D8	PU611SS356	FR DIODE		
D9	PU6112Z6V8S	Z DIODE		
D10	PU61DA204UT1064	FR DIODE		
D11	PU611SS356	FR DIODE		
D12	PU6114Z7V5S	Z DIODE		
D13	PU6114Z7V5S	Z DIODE		
D301	PU61BAS16	FR DIODE		
D302	PU61BAS16	FR DIODE		
D303	PU61BAS16	FR DIODE		
D304	PU61RB160L40	FR DIODE		
D401	PU61DA204UT1064	FR DIODE		
D408	PU61DA204UT1064	FR DIODE		
D409	PU61DA204UT1064	FR DIODE		
D410	PU61BAS16	FR DIODE		
D412	PU61BAS16	FR DIODE		
D413	PU61BAS16	FR DIODE		
D701	PU611SS356	FR DIODE		
D702	PU61MA338	FR DIODE		
D703	PU611SS356	FR DIODE		
D704	PU611SS356	FR DIODE		
C1	PU175KW820J	CHIP CAPACITOR		
C2	PU175KW121J	CHIP CAPACITOR		
C3	PU175KW560J	CHIP CAPACITOR		
C4	PU175KW330J	CHIP CAPACITOR		
C5	PU175KW221J	CHIP CAPACITOR		
C6	PU175KW560J	CHIP CAPACITOR		
C7	PU175KW180J	CHIP CAPACITOR		
C8	PU175KW180J	CHIP CAPACITOR		
C9	PU175KW104Z	CHIP CAPACITOR		
C10	PU175KW104Z	CHIP CAPACITOR		
C11	PU175KW104Z	CHIP CAPACITOR		
C13	PU172.5BC476M	E CAPACITOR		
C14	PU175KW331J	CHIP CAPACITOR		

△ Symbol No.	Part No.	Part Name	Description	Local
C15	PU175KW104Z	CHIP CAPACITOR		
C16	PU175KW331J	CHIP CAPACITOR		
C17	PU175KW104Z	CHIP CAPACITOR		
C18	PU171.6BC107M	E CAPACITOR		
C19	PU175KW680J	CHIP CAPACITOR		
C20	PU175KW471J	CHIP CAPACITOR		
C21	PU175KW680J	CHIP CAPACITOR		
C22	PU175KW471J	CHIP CAPACITOR		
C23	PU175KW102J	CHIP CAPACITOR		
C24	PU175KW102J	CHIP CAPACITOR		
C25	PU175KW104Z	CHIP CAPACITOR		
C26	PU175KW103K	CHIP CAPACITOR		
C27	PU175KW103K	CHIP CAPACITOR		
C28	PU175KW104Z	CHIP CAPACITOR		
C29	PU175KW104Z	CHIP CAPACITOR		
C30	PU172.5KZ106Z	CHIP CAPACITOR		
C31	PU175KW103K	CHIP CAPACITOR		
C32	PU175KW104Z	CHIP CAPACITOR		
C33	PU175KW102J	CHIP CAPACITOR		
C35	PU172.5BC476M	E CAPACITOR		
C36	PU172.5BC476M	E CAPACITOR		
C37	PU171.6KY225Z	CHIP CAPACITOR		
C38	PU175KW103K	CHIP CAPACITOR		
C39	PU175KW104Z	CHIP CAPACITOR		
C40	PU171.6KY225Z	CHIP CAPACITOR		
C41	PU175KW104Z	CHIP CAPACITOR		
C42	PU175KW104Z	CHIP CAPACITOR		
C43	PU171KW105Z	CHIP CAPACITOR		
C44	PU171KW105Z	CHIP CAPACITOR		
C45	PU171.6KW474Z	CHIP CAPACITOR		
C46	PU175KW104Z	CHIP CAPACITOR		
C47	PU175KW104Z	CHIP CAPACITOR		
C48	PU172.5BC476M	E CAPACITOR		
C49	PU172.5KZ106Z	CHIP CAPACITOR		
C51	PU175KW103K	CHIP CAPACITOR		
C52	PU175KW103K	CHIP CAPACITOR		
C53	PU172.5KY475Z	CHIP CAPACITOR		
C54	PU175KW104Z	CHIP CAPACITOR		
C55	PU171008	VOLTAGE CAP		
C56	PU175KW104Z	CHIP CAPACITOR		
C57	PU175KW104Z	CHIP CAPACITOR		
C58	PU171LL228MH	E CAPACITOR		
C59	PU175KW104Z	CHIP CAPACITOR		
C60	PU171.6KY225Z	CHIP CAPACITOR		
C154	PU171.6BC107M	E CAPACITOR		
C200	PU172.5BC476M	E CAPACITOR		
C201	PU171.6KW474Z	CHIP CAPACITOR		
C202	PU171.6KW474Z	CHIP CAPACITOR		
C205	PU175KW471J	CHIP CAPACITOR		
C301	PU175KW471J	CHIP CAPACITOR		
C302	PU175KW471J	CHIP CAPACITOR		
C304	PU171.6KW474Z	CHIP CAPACITOR		
C305	PU175KW471J	CHIP CAPACITOR		
C306	PU175KW104Z	CHIP CAPACITOR		
C307	PU172.5BC476M	E CAPACITOR		
C309	PU172.5BC476M	E CAPACITOR		
C310	PU175KW104Z	CHIP CAPACITOR		
C311	PU172.5BC476M	E CAPACITOR		
C312	PU173.5BC226M	E CAPACITOR		
C313	PU175KW104Z	CHIP CAPACITOR		
C315	PU172.5BC476M	E CAPACITOR		
C316	PU175KW104Z	CHIP CAPACITOR		
C317	PU172.5BC476M	E CAPACITOR		
C318	PU172.5BC476M	E CAPACITOR		
C319	PU175KW104Z	CHIP CAPACITOR		
C320	PU172.5BC476M	E CAPACITOR		
C321	PU175KW102J	CHIP CAPACITOR		
C418	PU175KW102J	CHIP CAPACITOR		
C419	PU172.5KZ106Z	CHIP CAPACITOR		
C422	PU175KW102J	CHIP CAPACITOR		
C423	PU172.5KZ106Z	CHIP CAPACITOR		
C424	PU175KW102J	CHIP CAPACITOR		
C425	PU172.5KZ106Z	CHIP CAPACITOR		
C501	PU172.5KY475Z	CHIP CAPACITOR		
C502	PU175KW270J	CHIP CAPACITOR		
C503	PU175KW270J	CHIP CAPACITOR		

△ Symbol No.	Part No.	Part Name	Description	Local	△ Symbol No.	Part No.	Part Name	Description	Local
C504	PU171KW105Z	CHIP CAPACITOR			C728	PU175KW104Z	CHIP CAPACITOR		
C505	PU175KW104Z	CHIP CAPACITOR			C729	PU175KW104Z	CHIP CAPACITOR		
C506	PU172.5KZ106Z	CHIP CAPACITOR			C742	PU172.5KZ106Z	CHIP CAPACITOR		
C508	PU175KW330J	CHIP CAPACITOR			C743	PU175KW104Z	CHIP CAPACITOR		
C509	PU175KW330J	CHIP CAPACITOR			C744	PU175KW104Z	CHIP CAPACITOR		
C510	PU175KW180J	CHIP CAPACITOR			C745	PU172.5KZ106Z	CHIP CAPACITOR		
C511	PU175KW180J	CHIP CAPACITOR			C746	PU172.5KZ106Z	CHIP CAPACITOR		
C513	PU171.6BC107M	E CAPACITOR			C747	PU172.5KZ106Z	CHIP CAPACITOR		
C516	PU175KW104Z	CHIP CAPACITOR			C748	PU172.5KZ106Z	CHIP CAPACITOR		
C517	PU175KW104Z	CHIP CAPACITOR			C749	PU175KW104Z	CHIP CAPACITOR		
C521	PU175KW103K	CHIP CAPACITOR			C750	PU175KW104Z	CHIP CAPACITOR		
C522	PU175KW103K	CHIP CAPACITOR			C751	PU175KW104Z	CHIP CAPACITOR		
C525	PU172.5KZ106Z	CHIP CAPACITOR			C752	PU175KW104Z	CHIP CAPACITOR		
C530	PU172.5KZ106Z	CHIP CAPACITOR			C760	PU172.5KZ106Z	CHIP CAPACITOR		
C602	PU172.5KZ106Z	CHIP CAPACITOR			C761	PU175KW122K	CHIP CAPACITOR		
C604	PU175KW104Z	CHIP CAPACITOR			C770	PU175KW122K	CHIP CAPACITOR		
C605	PU171.6BC107M	E CAPACITOR							
C606	PU175KW104Z	CHIP CAPACITOR			R1	PU16110TW103J	CHIP RESISTOR		
C607	PU175KW104Z	CHIP CAPACITOR			R2	PU16110TW470J	CHIP RESISTOR		
C608	PU175KW104Z	CHIP CAPACITOR			R3	PU16110TW224J	CHIP RESISTOR		
C609	PU175KW104Z	CHIP CAPACITOR			R4	PU16110TW0R0J	CHIP RESISTOR		
C610	PU175KW104Z	CHIP CAPACITOR			R5	PU16110TW302J	CHIP RESISTOR		
C611	PU175KW682K	CHIP CAPACITOR			R6	PU16110TW152J	CHIP RESISTOR		
C612	PU171.6KY335Z	CHIP CAPACITOR			R7	PU16110TW0R0J	CHIP RESISTOR		
C613	PU175KW103K	CHIP CAPACITOR			R8	PU16110TW101J	CHIP RESISTOR		
C614	PU175KW122K	CHIP CAPACITOR			R9	PU16110TW392J	CHIP RESISTOR		
C615	PU175KW103K	CHIP CAPACITOR			R10	PU16110TW303J	CHIP RESISTOR		
C616	PU175KW103K	CHIP CAPACITOR			R11	PU16110TW224J	CHIP RESISTOR		
C617	PU175KW103K	CHIP CAPACITOR			R12	PU16110TW0R0J	CHIP RESISTOR		
C618	PU175KW103K	CHIP CAPACITOR			R14	PU16110TW182J	CHIP RESISTOR		
C619	PU175KW103K	CHIP CAPACITOR			R15	PU16110TW682J	CHIP RESISTOR		
C620	PU175KW473Z	CHIP CAPACITOR			R16	PU16110TW682J	CHIP RESISTOR		
C621	PU175KW104Z	CHIP CAPACITOR			R18	PU16110TW222J	CHIP RESISTOR		
C622	PU175KW103K	CHIP CAPACITOR			R19	PU16110TW222J	CHIP RESISTOR		
C623	PU175KW103K	CHIP CAPACITOR			R20	PU16110TW332J	CHIP RESISTOR		
C624	PU171KW105Z	CHIP CAPACITOR			R21	PU16110TW272J	CHIP RESISTOR		
C625	PU171KW105Z	CHIP CAPACITOR			R22	PU16110TW104J	CHIP RESISTOR		
C626	PU171KW105Z	CHIP CAPACITOR			R23	PU16110TW101J	CHIP RESISTOR		
C627	PU171.6KW474Z	CHIP CAPACITOR			R24	PU16110TW560J	CHIP RESISTOR		
C628	PU175KW103K	CHIP CAPACITOR			R25	PU16110TW332J	CHIP RESISTOR		
C630	PU175KW103K	CHIP CAPACITOR			R26	PU16110TW332J	CHIP RESISTOR		
C631	PU175KW104Z	CHIP CAPACITOR			R27	PU16110TW183J	CHIP RESISTOR		
C632	PU175KW103K	CHIP CAPACITOR			R28	PU16110TW223J	CHIP RESISTOR		
C633	PU172.5BC476M	E CAPACITOR			R30	PU16110TW103J	CHIP RESISTOR		
C634	PU175KW103K	CHIP CAPACITOR			R31	PU16110TW182J	CHIP RESISTOR		
C637	PU175KW104Z	CHIP CAPACITOR			R32	PU16110TW332J	CHIP RESISTOR		
C638	PU175KW104Z	CHIP CAPACITOR			R33	PU16110TW103J	CHIP RESISTOR		
C639	PU175KW121J	CHIP CAPACITOR			R34	PU16110TW0R0J	CHIP RESISTOR		
C640	PU171.6BC107M	E CAPACITOR			R35	PU16110TW153J	CHIP RESISTOR		
C641	PU171.6BC107M	E CAPACITOR			R36	PU16110TW103J	CHIP RESISTOR		
C643	PU172.5BC476M	E CAPACITOR			R37	PU16110TW101J	CHIP RESISTOR		
C663	PU175KW122K	CHIP CAPACITOR			R38	PU16110TW104J	CHIP RESISTOR		
C664	PU175KW681J	CHIP CAPACITOR			R39	PU16110TW101J	CHIP RESISTOR		
C665	PU175KW103K	CHIP CAPACITOR			R40	PU16110TW472J	CHIP RESISTOR		
C666	PU175KW560J	CHIP CAPACITOR			R41	PU16110TW472J	CHIP RESISTOR		
C667	PU175KW103K	CHIP CAPACITOR			R42	PU16110TW222J	CHIP RESISTOR		
C668	PU175KW562K	CHIP CAPACITOR			R43	PU16110TW3R3J	CHIP RESISTOR		
C669	PU175KW103K	CHIP CAPACITOR			R44	PU16110TW473J	CHIP RESISTOR		
C701	PU172.5KZ106Z	CHIP CAPACITOR			R45	PU16110TW223J	CHIP RESISTOR		
C702	PU172.5KZ106Z	CHIP CAPACITOR			R46	PU16110TW333J	CHIP RESISTOR		
C703	PU175KW104Z	CHIP CAPACITOR			R47	PU16110TW182J	CHIP RESISTOR		
C704	PU172.5BC476M	E CAPACITOR			R48	PU16110TW473J	CHIP RESISTOR		
C705	PU175KW104Z	CHIP CAPACITOR			R49	PU16110TW104J	CHIP RESISTOR		
C706	PU172.5KZ106Z	CHIP CAPACITOR			R50	PU16110TW243J	CHIP RESISTOR		
C707	PU172.5KZ106Z	CHIP CAPACITOR			R51	PU16110TW103J	CHIP RESISTOR		
C709	PU171.6KY225Z	CHIP CAPACITOR			R52	PU16110TW104J	CHIP RESISTOR		
C710	PU175KW104Z	CHIP CAPACITOR			R53	PU16110TW683J	CHIP RESISTOR		
C711	PU175KW104Z	CHIP CAPACITOR			R54	PU16110TW223J	CHIP RESISTOR		
C712	PU175KW104Z	CHIP CAPACITOR			R55	PU16110TW474J	CHIP RESISTOR		
C718	PU175KW104Z	CHIP CAPACITOR			R56	PU16110TW124J	CHIP RESISTOR		
C719	PU171KW105Z	CHIP CAPACITOR			R57	PU16110TW513J	CHIP RESISTOR		
C720	PU172.5KZ106Z	CHIP CAPACITOR			R58	PU16110TW824J	CHIP RESISTOR		
C721	PU175KW102J	CHIP CAPACITOR			R59	PU16110TW104J	CHIP RESISTOR		
C722	PU175KW104Z	CHIP CAPACITOR			R61	PU16110TW394J	CHIP RESISTOR		
C723	PU175KW561J	CHIP CAPACITOR			R62	PU16110TW224J	CHIP RESISTOR		
C725	PU175KW152K	CHIP CAPACITOR			R63	PU16110TW243J	CHIP RESISTOR		
C726	PU175KW104Z	CHIP CAPACITOR			R64	PU16110TW101J	CHIP RESISTOR		
C727	PU175KW121J	CHIP CAPACITOR			R67	PU16110TW103J	CHIP RESISTOR		

△ Symbol No.	Part No.	Part Name	Description	Local	△ Symbol No.	Part No.	Part Name	Description	Local
R68	PU16110TW681J	CHIP RESISTOR			R4D2	PU1618TX201J	CHIP RESISTOR		
R69	PU16110TW223J	CHIP RESISTOR			R501	PU16110TW104J	CHIP RESISTOR		
R70	PU16110TW223J	CHIP RESISTOR			R502	PU16110TW102J	CHIP RESISTOR		
R71	PU16110TW824J	CHIP RESISTOR			R503	PU16110TW104J	CHIP RESISTOR		
R72	PU16110TW681J	CHIP RESISTOR			R504	PU16110TW102J	CHIP RESISTOR		
R73	PU16110TW332J	CHIP RESISTOR			R505	PU16110TW102J	CHIP RESISTOR		
R74	PU16110TW332J	CHIP RESISTOR			R506	PU16110TW102J	CHIP RESISTOR		
R75	PU16110TW0R0J	CHIP RESISTOR			R507	PU16110TW105J	CHIP RESISTOR		
R76	PU16110TW122J	CHIP RESISTOR			R508	PU16110TW101J	CHIP RESISTOR		
R78	PU16110TW223J	CHIP RESISTOR			R509	PU16110TW104J	CHIP RESISTOR		
R79	PU16110TW473J	CHIP RESISTOR			R510	PU16110TW103J	CHIP RESISTOR		
R80	PU16110TW0R0J	CHIP RESISTOR			R511	PU16110TW103J	CHIP RESISTOR		
R81	PU16110TW153J	CHIP RESISTOR			R513	PU16110TW104J	CHIP RESISTOR		
R82	PU16110TW820J	CHIP RESISTOR			R517	PU16110TW102J	CHIP RESISTOR		
R83	PU16110TW333J	CHIP RESISTOR			R519	PU16110TW101J	CHIP RESISTOR		
R84	PU16110TW102J	CHIP RESISTOR			R520	PU16110TW101J	CHIP RESISTOR		
R85	PU16110TW153J	CHIP RESISTOR			R521	PU16110TW101J	CHIP RESISTOR		
R86	PU16110TW103J	CHIP RESISTOR			R525	PU16110TW103J	CHIP RESISTOR		
R89	PU16110TW010J	CHIP RESISTOR			R526	PU16110TW101J	CHIP RESISTOR		
R90	PU16110TW3R3J	CHIP RESISTOR			R528	PU16110TW104J	CHIP RESISTOR		
R92	PU16110TW0R0J	CHIP RESISTOR			R535	PU16110TW103J	CHIP RESISTOR		
R92	PU16110TW3R3J	CHIP RESISTOR			R536	PU16110TW103J	CHIP RESISTOR		
R93	PU16110TW3R3J	CHIP RESISTOR			R539	PU16110TW103J	CHIP RESISTOR		
R94	PU16110TW393J	CHIP RESISTOR			R550	PU16110TW473J	CHIP RESISTOR		
R95	PU16110NW103J	CHIP THERMISTOR			R551	PU16110TW473J	CHIP RESISTOR		
R96	PU16110TW0R0J	CHIP RESISTOR			R553	PU16110TW223J	CHIP RESISTOR		
R97	PU16110TW0R0J	CHIP RESISTOR			R561	PU16110TW473J	CHIP RESISTOR		
R98	PU16110TW0R0J	CHIP RESISTOR			R608	PU16110TW750J	CHIP RESISTOR		
R99	PU16110TW0R0J	CHIP RESISTOR			R609	PU16110TW750J	CHIP RESISTOR		
R100	PU16110TW183J	CHIP RESISTOR			R610	PU16110TW750J	CHIP RESISTOR		
R101	PU16110NW103J	CHIP THERMISTOR			R612	PU16110TW121J	CHIP RESISTOR		
R104	PU16110TW104J	CHIP RESISTOR			R613	PU16110TW153J	CHIP RESISTOR		
R123	PU16110TW104J	CHIP RESISTOR			R614	PU16110TW153J	CHIP RESISTOR		
R124	PU16110TW101J	CHIP RESISTOR			R615	PU16110TW183J	CHIP RESISTOR		
R127	PU16110TW473J	CHIP RESISTOR			R616	PU16110TW105J	CHIP RESISTOR		
R130	PU16110TW562J	CHIP RESISTOR			R617	PU16110TW474J	CHIP RESISTOR		
R131	PU16110TW104J	CHIP RESISTOR			R618	PU16110TW153J	CHIP RESISTOR		
R135	PU16110TW333J	CHIP RESISTOR			R619	PU16110TW153J	CHIP RESISTOR		
R201	PU16110TW393J	CHIP RESISTOR			R620	PU16110TW102J	CHIP RESISTOR		
R202	PU16110TW393J	CHIP RESISTOR			R621	PU16110TW102J	CHIP RESISTOR		
R203	PU16110TW224J	CHIP RESISTOR			R622	PU16110TW334J	CHIP RESISTOR		
R214	PU16110TW183J	CHIP RESISTOR			R623	PU16110TW101J	CHIP RESISTOR		
R215	PU16110TW333J	CHIP RESISTOR			R624	PU16110TW102J	CHIP RESISTOR		
R216	PU16110TW102J	CHIP RESISTOR			R625	PU16110TW684J	CHIP RESISTOR		
R301	PU16110TW393J	CHIP RESISTOR			R626	PU16110TW101J	CHIP RESISTOR		
R302	PU16110TW393J	CHIP RESISTOR			R627	PU16110TW102J	CHIP RESISTOR		
R303	PU16110TW332J	CHIP RESISTOR			R628	PU16110TW563J	CHIP RESISTOR		
R305	PU16110TW333J	CHIP RESISTOR			R629	PU16110TW393J	CHIP RESISTOR		
R306	PU16110TW333J	CHIP RESISTOR			R630	PU16110TW563J	CHIP RESISTOR		
R307	PU16110TW242J	CHIP RESISTOR			R631	PU16110TW393J	CHIP RESISTOR		
R308	PU16110TW122J	CHIP RESISTOR			R632	PU16110TW565J	CHIP RESISTOR		
R309	PU16110TW513J	CHIP RESISTOR			R633	PU16110TW103J	CHIP RESISTOR		
R310	PU16110TW153J	CHIP RESISTOR			R634	PU16110TW103J	CHIP RESISTOR		
R313	PU16110TW183J	CHIP RESISTOR			R635	PU16110TW562J	CHIP RESISTOR		
R314	PU16110TW333J	CHIP RESISTOR			R636	PU16110TW101J	CHIP RESISTOR		
R316	PU16110TW221J	CHIP RESISTOR			R637	PU16110TW101J	CHIP RESISTOR		
R437	PU16110TW102J	CHIP RESISTOR			R638	PU16110TW101J	CHIP RESISTOR		
R438	PU16110TW331J	CHIP RESISTOR			R640	PU16110TW103J	CHIP RESISTOR		
R439	PU16110TW221J	CHIP RESISTOR			R641	PU16110TW102J	CHIP RESISTOR		
R440	PU16110TW471J	CHIP RESISTOR			R642	PU16110TW562J	CHIP RESISTOR		
R441	PU16110TW101J	CHIP RESISTOR			R643	PU16110TW183J	CHIP RESISTOR		
R445	PU16110TW101J	CHIP RESISTOR			R644	PU16110TW153J	CHIP RESISTOR		
R446	PU16110TW473J	CHIP RESISTOR			R645	PU16110TW393J	CHIP RESISTOR		
R447	PU16110TW103J	CHIP RESISTOR			R646	PU16110TW183J	CHIP RESISTOR		
R448	PU16110TW223J	CHIP RESISTOR			R651	PU16110TW562J	CHIP RESISTOR		
R453	PU16110TW243J	CHIP RESISTOR			R653	PU16110TW103J	CHIP RESISTOR		
R454	PU16110TW823J	CHIP RESISTOR			R654	PU16110TW103J	CHIP RESISTOR		
R455	PU16110TW153J	CHIP RESISTOR			R655	PU16110TW123J	CHIP RESISTOR		
R456	PU16110TW101J	CHIP RESISTOR			R656	PU16110TW123J	CHIP RESISTOR		
R457	PU16110TW473J	CHIP RESISTOR			R660	PU16110TW102J	CHIP RESISTOR		
R458	PU16110TW223J	CHIP RESISTOR			R661	PU16110TW910J	CHIP RESISTOR		
R459	PU16110TW433J	CHIP RESISTOR			R662	PU16110TW471J	CHIP RESISTOR		
R460	PU16110TW101J	CHIP RESISTOR			R663	PU16110TW331J	CHIP RESISTOR		
R461	PU16110TW182J	CHIP RESISTOR			R665	PU16110TW106J	CHIP RESISTOR		
R4A1	PU1618TX201J	CHIP RESISTOR			R666	PU16110TW562J	CHIP RESISTOR		
R4B1	PU1618TX201J	CHIP RESISTOR			R667	PU16110TW152J	CHIP RESISTOR		
R4C1	PU1618TX201J	CHIP RESISTOR			R669	PU16110TW562J	CHIP RESISTOR		
R4D1	PU1618TX201J	CHIP RESISTOR			R701	PU16110TW101J	CHIP RESISTOR		

△ Symbol No.	Part No.	Part Name	Description	Local	△ Symbol No.	Part No.	Part Name	Description	Local
R702	PU16110TW101J	CHIP RESISTOR			L702	PU291007100	COIL		
R703	PU16110TW563J	CHIP RESISTOR			L703	PU291007100	COIL		
R704	PU16110TW563J	CHIP RESISTOR			L704	PU291007100	COIL		
R705	PU16110TW223J	CHIP RESISTOR			L706	PU291007100	COIL		
R706	PU16110TW223J	CHIP RESISTOR			L707	PU291007012	COIL		
R707	PU16110TW393J	CHIP RESISTOR			L712	PU291007100	COIL		
R708	PU16110TW822J	CHIP RESISTOR							
R709	PU16110TW273J	CHIP RESISTOR			CON2	PU12100104	CONNECTOR		
R710	PU16110TW223J	CHIP RESISTOR			DN	PU311041	TACT SWITCH		
R711	PU16110TW153J	CHIP RESISTOR			F1	PU32C1252K0FU	FUSE SMD /TU		
R712	PU16110TW393J	CHIP RESISTOR			FB602	PU181009	FERRITE BEAD		
R713	PU16110TW302J	CHIP RESISTOR			FB606	PU181009	FERRITE BEAD		
R714	PU16110TW153J	CHIP RESISTOR			GASC	PU16110TW0R0J	CHIP RESISTOR		
R715	PU16110TW224J	CHIP RESISTOR			GAUD	PU16110TW0R0J	CHIP RESISTOR		
R716	PU16110TW222J	CHIP RESISTOR			GDC1	PU16110TW0R0J	CHIP RESISTOR		
R717	PU16110TW472J	CHIP RESISTOR			GDC2	PU16110TW0R0J	CHIP RESISTOR		
R719	PU16110TW273J	CHIP RESISTOR			GDC3	PU16110TW0R0J	CHIP RESISTOR		
R720	PU16110TW103J	CHIP RESISTOR			GINV	PU16110TW0R0J	CHIP RESISTOR		
R721	PU16110TW0R0J	CHIP RESISTOR			GINV	PU16110TW0R0J	CHIP RESISTOR		
R722	PU16110TW105J	CHIP RESISTOR			GINV	PU16110TW0R0J	CHIP RESISTOR		
R723	PU16110TW683J	CHIP RESISTOR			GMCU	PU16110TW0R0J	CHIP RESISTOR		
R725	PU16110TW333J	CHIP RESISTOR			GMCU	PU16110TW0R0J	CHIP RESISTOR		
R726	PU16110TW223J	CHIP RESISTOR			GVID	PU16110TW0R0J	CHIP RESISTOR		
R727	PU16110TW152J	CHIP RESISTOR			GVID	PU16110TW0R0J	CHIP RESISTOR		
R728	PU16110TW473J	CHIP RESISTOR			IR	PUOT06003710	RUBBER		
R729	PU16110TW683J	CHIP RESISTOR			M1	PU121013	WAFER		
R730	PU16110TW474J	CHIP RESISTOR			M2	PU611058	INFRARED		
R731	PU16110TW472J	CHIP RESISTOR			MENU	PU311041	TACT SWITCH		
R732	PU16110TW222J	CHIP RESISTOR			MODE	PU311041	TACT SWITCH		
R736	PU16110TW202J	CHIP RESISTOR			QM301	PU62IMZ1A	TRANSISTOR		
R737	PU16110TW102J	CHIP RESISTOR			QM701	PU62IMX1	TRANSISTOR		
R738	PU16110TW102J	CHIP RESISTOR			U1	74HC4053D	IC		
R739	PU16110TW102J	CHIP RESISTOR			U2	TC203G04AF	IC		
R740	PU16110TW472J	CHIP RESISTOR			U3	TC4W53F	IC		
R741	PU16110TW472J	CHIP RESISTOR			U4	HS9913ST	IC		
R742	PU16110TW472J	CHIP RESISTOR			U5	PJ78L05A	IC		
R745	PU16110TW101J	CHIP RESISTOR			U8	AP4532M	IC		
R746	PU16110TW101J	CHIP RESISTOR			U9	AP4532M	IC		
R751	PU16110TW223J	CHIP RESISTOR			U201	TL1451ACPWLE	IC		
R752	PU16110TW0R0J	CHIP RESISTOR			U401	BIT3105	IC		
R754	PU16110TW153J	CHIP RESISTOR			U501	PIC16C77-04/L	IC		
R760	PU16110TW332J	CHIP RESISTOR			U503	MB90097-PFV	IC		
R761	PU16110TW101J	CHIP RESISTOR			U504	24LC02B	IC		
R763	PU16110TW103J	CHIP RESISTOR			U506	M66242FP	IC		
R765	PU16110TW103J	CHIP RESISTOR			U600	IR3Y29BM	IC		
R770	PU16110TW101J	CHIP RESISTOR			U601	74HC4053D	IC		
R771	PU16110TW103J	CHIP RESISTOR			U602	DG419DY	IC		
R772	PU16110TW333J	CHIP RESISTOR			U701	LF353MX	IC		
R773	PU16110TW103J	CHIP RESISTOR			U702	MN13821G	IC		
R776	PU16110TW0R0J	CHIP RESISTOR			U704	LMC7101BIM5	IC		
R7A1	PU1618TX201J	CHIP RESISTOR			UP	PU311041	TACT SWITCH		
R7B1	PU1618TX201J	CHIP RESISTOR			VBRI	PU29R3S473	MVR32		
R7C1	PU1618TX201J	CHIP RESISTOR			VCDC	PU29R3S473	MVR32		
R7D1	PU1618TX201J	CHIP RESISTOR			VCNT	PU29R3S473	MVR32		
R7D2	PU1618TX201J	CHIP RESISTOR			VCOL	PU29R3S473	MVR32		
R,668	PU16110TW331J	CHIP RESISTOR			VCOM	PU29R3S473	MVR32		
R556B	PU16110TW332J	CHIP RESISTOR			VFREQ	PU29R3S103	MVR32		
R556C	PU16110TW332J	CHIP RESISTOR			VFRQ	PU29R3S103	MVR32		
VR1	PU29R3S502	MVR32			VGA1	PU29R3S473	MVR32		
VR2	PU29R3S502	MVR32			VGA2	PU29R3S473	MVR32		
VR+5	PU29R3S502	MVR32			VPIC	PU29R3S473	MVR32		
					VRGB	PU29R3S473	MVR32		
L1	PU291007220	COIL			VSUB	PU29R3S473	MVR32		
L2	PU291007220	COIL			VSUR	PU29R3S473	MVR32		
L4	PU291011	COIL			VTIN	PU29R3S473	MVR32		
L200	PU291012	COIL			W702	PU16110TW0R0J	CHIP RESISTOR		
L301	PU291011	COIL			W703	PU16110TW0R0J	CHIP RESISTOR		
L302	PU291007330	COIL			W705	PU16110TW0R0J	CHIP RESISTOR		
L303	PU292002	TRANSFORMER			W706	PU16110TW0R0J	CHIP RESISTOR		
L304	PU291007330	COIL			W710	PU16110TW0R0J	CHIP RESISTOR		
L305	PU291011	COIL			W711	PU16110TW0R0J	CHIP RESISTOR		
L403	PU292021	TRANSFORMER			W719	PU16110TW0R0J	CHIP RESISTOR		
L501	PU291007150	COIL			XXXXX	PU192440V03	PCB		
L504	PU291007100	COIL			XXXXX	PU6126410GT	LED		
L600	PU291007100	COIL			XXXXX	PU6126410GT	LED		
L602	PU291007100	COIL			XXXXX	PU6126410GT	LED		
L661	PU291002	COIL SMD			XXXXX	PU6126410GT	LED		
L701	PU291007100	COIL			XXXXX	PU121040	IC SOKET		

## Connector board

Block No. [0][2][0][0]

Symbol No.	Part No.	Part Name	Description	Local
C1	PU175KW102J	CHIP CAPACITOR		
L1	PU181016	FERRITE BEAD		
CON1	PU12101104	CONNECTOR		
CON2	PU12101110	CONNECTOR		
XXXXX	PU192441V01	PCB		

## Lamp Control board

Block No. [0][3][0][0]

Symbol No.	Part No.	Part Name	Description	Local
Q1	PU62HMBT5551	TRANSISTOR		
Q3	PU62KN3904S	TRANSISTOR		
Q4	PU62KN3904S	TRANSISTOR		
Q5	PU62KN3904S	TRANSISTOR		
Q6	PU62KN3904S	TRANSISTOR		
Q7	PU62IRF5410	TRANSISTOR		
Q8	PU62KN3904S	TRANSISTOR		
Q9	PU62KN3904S	TRANSISTOR		
Q11	PU62KN3904S	TRANSISTOR		
Q12	PU62HMBT5551	TRANSISTOR		
Q13	PU62KN3904S	TRANSISTOR		
D1	PU611SS356	FR DIODE		
D2	PU6112Z5V6S	Z DIODE		
D3	PU61SS38	FR DIODE		
D5	PU6114Z13V0S	Z DIODE		
D27	PU61SML010LTT86	LED		
C1	PU171.6KZ106Z	CHIP CAPACITOR		
C2	PU171.6KZ106Z	CHIP CAPACITOR		
C3	PU171.6KZ106Z	CHIP CAPACITOR		
C4	PU171.6KZ106Z	CHIP CAPACITOR		
C5	PU172.5BC476M	E CAPACITOR		
C66	PU171.6KW104K	CHIP CAPACITOR		
C69	PU173.5BC106M	E CAPACITOR		
C71	PU175KW103K	CHIP CAPACITOR		
R1	PU16110TW223J	CHIP RESISTOR		
R2	PU16110TW223J	CHIP RESISTOR		
R3	PU16110TW223J	CHIP RESISTOR		
R4	PU16110TW220J	CHIP RESISTOR		
R5	PU16110TW223J	CHIP RESISTOR		
R6	PU16110TW473J	CHIP RESISTOR		
R7	PU16110TW223J	CHIP RESISTOR		
R9	PU16110TW104J	CHIP RESISTOR		
R10	PU16110TW104J	CHIP RESISTOR		
R11	PU16110TW472J	CHIP RESISTOR		
R12	PU16110TW472J	CHIP RESISTOR		
R13	PU16110TW0R0J	CHIP RESISTOR		
R16	PU16110TW104J	CHIP RESISTOR		
R22	PU16110TW220J	CHIP RESISTOR		
R23	PU16110TW473J	CHIP RESISTOR		
R24	PU16110TW223J	CHIP RESISTOR		
R25	PU16110TW103J	CHIP RESISTOR		
R26	PU16110TW104J	CHIP RESISTOR		
R27	PU16110TW472J	CHIP RESISTOR		
R28	PU16110TW104J	CHIP RESISTOR		
R29	PU16110TW682J	CHIP RESISTOR		
R30	PU16110TW123J	CHIP RESISTOR		
R31	PU16110TW222J	CHIP RESISTOR		
R34	PU16110TW472J	CHIP RESISTOR		
R35	PU16110TW104J	CHIP RESISTOR		
R36	PU16110TW104J	CHIP RESISTOR		
R44	PU16110TW224J	CHIP RESISTOR		
R113	PU16110TW223J	CHIP RESISTOR		
R180	PU16110TW223J	CHIP RESISTOR		
R181	PU16110TW103J	CHIP RESISTOR		

Symbol No.	Part No.	Part Name	Description	Local
R182	PU16110TW104J	CHIP RESISTOR		
R186	PU16110TW223J	CHIP RESISTOR		
R187	PU16110TW473J	CHIP RESISTOR		
R190	PU16110TW103J	CHIP RESISTOR		
R191	PU16110TW103J	CHIP RESISTOR		
R192	PU16110TW220J	CHIP RESISTOR		
R222	PU16110TW104J	CHIP RESISTOR		
L1	PU291012	COIL		
S1	PU311022	TACT SWITCH		
S2	PU311022	TACT SWITCH		
U18	PIC16C505	IC		
XXXXX	PU192443V02	PCB		
XXXXX	PU191072V03	PCB		
XXXXX	PU312003	TOSHIBA		
XXXXX	PU322007	HOLDER		
XXXXX	PU14116204	CONNECTOR		

## BOX board

Block No. [0][4][0][0]

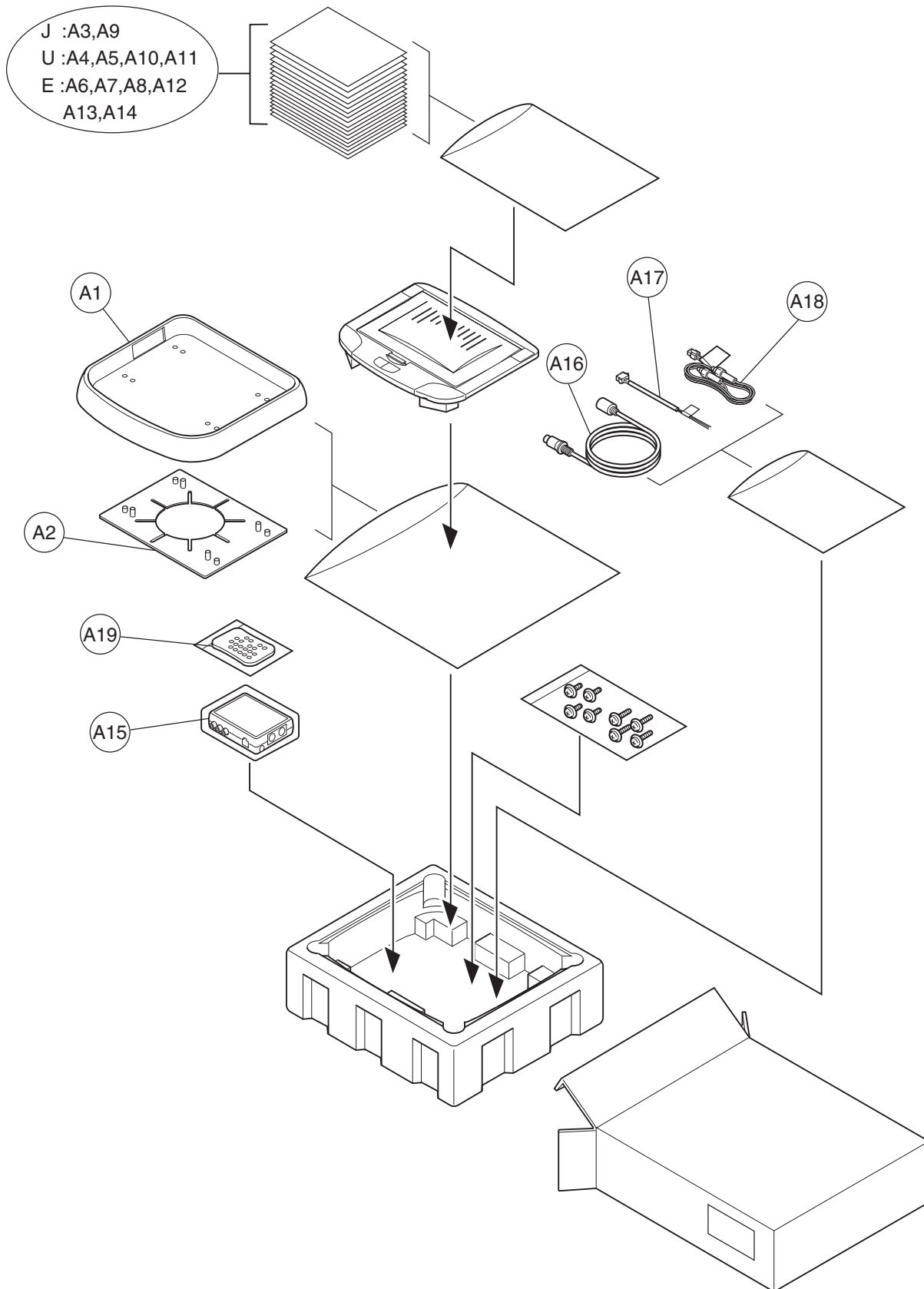
Symbol No.	Part No.	Part Name	Description	Local
Q1	PU62KN3906S	TRANSISTOR		
Q2	PU62KN3906S	TRANSISTOR		
Q3	PU622SD1048	TRANSISTOR		
Q4	PU62KN3904S	TRANSISTOR		
Q5	PU62KN3904S	TRANSISTOR		
Q6	PU622SD1048	TRANSISTOR		
Q7	PU62KN3904S	TRANSISTOR		
Q8	PU62KN3904S	TRANSISTOR		
Q9	PU62KN3904S	TRANSISTOR		
Q10	PU62KN3906S	TRANSISTOR		
Q11	PU62KN3904S	TRANSISTOR		
Q12	PU62KN3904S	TRANSISTOR		
Q13	PU62KN3904S	TRANSISTOR		
Q14	PU622SA1797	TRANSISTOR		
Q15	PU62KN3904S	TRANSISTOR		
Q16	PU62KN3906S	TRANSISTOR		
Q17	PU62KN3906S	TRANSISTOR		
Q101	PU62KN3904S	TRANSISTOR		
D1	PU611SS356	FR DIODE		
D2	PU61SS38	FR DIODE		
D3	PU611SS356	FR DIODE		
D4	PU6114Z9V1S	Z DIODE		
D5	PU6114Z16V0S	Z DIODE		
D6	PU611SS356	FR DIODE		
D8	PU6114Z9V1S	Z DIODE		
D9	PU611SS356	FR DIODE		
D10	PU611SS356	FR DIODE		
D11	PU611SS356	FR DIODE		
D12	PU611SS356	FR DIODE		
C1	PU171.6OY106M	E CAPACITOR		
C2	PU171.6OY106M	E CAPACITOR		
C3	PU172.5LL108M	E CAPACITOR		
C4	PU171.6OY225M	TA SMD A +-20%		
C5	PU172.5BC476M	E CAPACITOR		
C6	PU175KW104Z	CHIP CAPACITOR		
C7	PU171.6OY225M	TA SMD A +-20%		
C8	PU172.5KZ106Z	CHIP CAPACITOR		
C9	PU172.5KZ106Z	CHIP CAPACITOR		
C10	PU172.5KZ106Z	CHIP CAPACITOR		
C11	PU171.6OY106M	E CAPACITOR		
C12	PU171.6OY106M	E CAPACITOR		
C13	PU175KW104Z	CHIP CAPACITOR		
C14	PU171.6OY106M	E CAPACITOR		
C15	PU171.6OY106M	E CAPACITOR		
C16	PU171KZ226Z	CHIP CAPACITOR		
C17	PU175KW104Z	CHIP CAPACITOR		
C18	PU172.5KZ106Z	CHIP CAPACITOR		
C19	PU175KW103K	CHIP CAPACITOR		



△ Symbol No.	Part No.	Part Name	Description	Local	△ Symbol No.	Part No.	Part Name	Description	Local
C20	PU175KW104Z	CHIP CAPACITOR			R53	PU16110TW750J	CHIP RESISTOR		
C21	PU171.6BC227M	E CAPACITOR			R54	PU16110TW681J	CHIP RESISTOR		
C22	PU171.6BC227M	E CAPACITOR			R55	PU16110TW124J	CHIP RESISTOR		
C23	PU172.5KZ106Z	CHIP CAPACITOR			R56	PU16110TW183J	CHIP RESISTOR		
C24	PU175KW104Z	CHIP CAPACITOR			R57	PU16110TW103J	CHIP RESISTOR		
C25	PU175KW104Z	CHIP CAPACITOR			R58	PU16110TW563J	CHIP RESISTOR		
C26	PU175KW104Z	CHIP CAPACITOR			R59	PU16110TW681J	CHIP RESISTOR		
C27	PU172.5BC476M	E CAPACITOR			R60	PU16110TW104J	CHIP RESISTOR		
C28	PU171.6OY105M	TA SMD A +-20%			R61	PU16110TW102J	CHIP RESISTOR		
C29	PU171.6BC226M	E CAPACITOR			R62	PU16110TW273J	CHIP RESISTOR		
C30	PU171.6OY106M	E CAPACITOR			R63	PU16110TW273J	CHIP RESISTOR		
C31	PU171.6OY105M	TA SMD A +-20%			R64	PU16110TW273J	CHIP RESISTOR		
C32	PU172.5KZ106Z	CHIP CAPACITOR			R65	PU16110TW273J	CHIP RESISTOR		
C33	PU175KW103K	CHIP CAPACITOR			R66	PU16110TW102J	CHIP RESISTOR		
C34	PU175KW101J	CHIP CAPACITOR			R67	PU1614TY472J	CHIP RESISTOR		
C35	PU175KW101J	CHIP CAPACITOR			R68	PU16110TW472J	CHIP RESISTOR		
C36	PU1710PF103K	MEI			R69	PU16110TW821J	CHIP RESISTOR		
C37	PU1710PF103K	MEI			R70	PU16110TW152J	CHIP RESISTOR		
C45	PU172.5KZ106Z	CHIP CAPACITOR			R71	PU16110TW273J	CHIP RESISTOR		
C46	PU171.6OY106M	E CAPACITOR			R72	PU16110TW152J	CHIP RESISTOR		
C47	PU171.6OY106M	E CAPACITOR			R73	PU16110TW010J	CHIP RESISTOR		
C92	PU171.6OY106M	E CAPACITOR			R74	PU16110TW273J	CHIP RESISTOR		
C101	PU172.5LL108M	E CAPACITOR			R94	PU16110TW104J	CHIP RESISTOR		
C106	PU171.6BC107M	E CAPACITOR			R95	PU16110TW102J	CHIP RESISTOR		
C123	PU175KW104Z	CHIP CAPACITOR			R96	PU16110TW222J	CHIP RESISTOR		
					R97	PU16110TW222J	CHIP RESISTOR		
R1	PU16110TW473J	CHIP RESISTOR			R101	PU16110TW102J	CHIP RESISTOR		
R2	PU16110TW562J	CHIP RESISTOR			R103	PU16110TW104J	CHIP RESISTOR		
R3	PU16110TW334J	CHIP RESISTOR							
R4	PU16110TW223J	CHIP RESISTOR			L1	PU291090	COIL		
R5	PU16110TW223J	CHIP RESISTOR			L2	PU181016	FERRITE BEAD		
R6	PU16110TW473J	CHIP RESISTOR							
R7	PU16110TWR0J	CHIP RESISTOR			J1	PUCN09LP4004	POWER WAFER		
R8	PU16110TWR0J	CHIP RESISTOR			JIN1	PU122007	RCA JACK		
R9	PU16110TW103J	CHIP RESISTOR			JIN2	PU122007	RCA JACK		
R10	PU16110TW222J	CHIP RESISTOR			U1	NJM2521M	IC		
R11	PU16110TW103J	CHIP RESISTOR			U3	NJM2246M	IC		
R12	PU16110TW750J	CHIP RESISTOR			U4	NJM2521M	IC		
R13	PU16110TW562J	CHIP RESISTOR			U6	BA4558F	IC		
R14	PU16110TW562J	CHIP RESISTOR			U102	BA17808FP	IC		
R15	PU16110TW102J	CHIP RESISTOR			XXXXX	PU192445V02	PCB		
R16	PU16110TW822J	CHIP RESISTOR							
R17	PU16110TW273J	CHIP RESISTOR							
R18	PU16110TW101J	CHIP RESISTOR							
R19	PU16110TW103J	CHIP RESISTOR							
R20	PU16110TW101J	CHIP RESISTOR							
R21	PU16110TW103J	CHIP RESISTOR							
R22	PU16110TW361J	CHIP RESISTOR							
R23	PU16110TW361J	CHIP RESISTOR							
R24	PU16110TW620J	CHIP RESISTOR							
R25	PU16110TW750J	CHIP RESISTOR							
R26	PU16110TW273J	CHIP RESISTOR							
R27	PU16110TW182J	CHIP RESISTOR							
R28	PU16110TW103J	CHIP RESISTOR							
R29	PU16110TW272J	CHIP RESISTOR							
R30	PU16110TW103J	CHIP RESISTOR							
R31	PU16110TW102J	CHIP RESISTOR							
R32	PU16110TW102J	CHIP RESISTOR							
R33	PU16110TW122J	CHIP RESISTOR							
R34	PU16110TW361J	CHIP RESISTOR							
R35	PU16110TW361J	CHIP RESISTOR							
R36	PU16110TW472J	CHIP RESISTOR							
R37	PU16110TW183J	CHIP RESISTOR							
R38	PU16110TW124J	CHIP RESISTOR							
R39	PU16110TW103J	CHIP RESISTOR							
R40	PU16110TW562J	CHIP RESISTOR							
R41	PU16110TW822J	CHIP RESISTOR							
R42	PU16110TW103J	CHIP RESISTOR							
R43	PU16110TW750J	CHIP RESISTOR							
R44	PU16110TW101J	CHIP RESISTOR							
R45	PU16110TW101J	CHIP RESISTOR							
R46	PU16110TW104J	CHIP RESISTOR							
R47	PU16110TW104J	CHIP RESISTOR							
R48	PU16110TW104J	CHIP RESISTOR							
R49	PU16110TW104J	CHIP RESISTOR							
R50	PU16110TW101J	CHIP RESISTOR							
R51	PU16110TW183J	CHIP RESISTOR							
R52	PU16110TW101J	CHIP RESISTOR							

# Packing materials and accessories parts list

Block No. M 3 M M



## Packing and accessories

Block No. [M][3][M][M]

△ Symbol No.	Part No.	Part Name	Description	Local
A 1	PUPL08003315	MOUNTING SLEEVE		
A 2	PUME03000911	BRACKET		
A 3	LVT0986-001A	INST (Jver)	ENG SPA FRE	
A 4	LVT0988-001A	INST (Uver)	ENG CHI THA ARA	
A 5	LVT0988-002A	INST (Uver)	KOR	
A 6	LVT0987-001A	INST (Ever)	ENG GER FRE DUT	
A 7	LVT0987-002A	INST (Ever)	SPA ITA POL RUS	
A 8	LVT0987-003A	INST (Ever)	SWE DAN FIN GRE	
A 9	LVT0986-002A	INST SHEET	J	
A 10	LVT0988-003A	INST SHEET	U	
A 11	LVT0988-004A	INST SHEET	U	
A 12	LVT0987-004A	INST SHEET	E	
A 13	LVT0987-005A	INST SHEET	E	
A 14	LVT0987-006A	INST SHEET	E	
A 15	PUKV90BOX	CONNECTION UNIT		
A 16	PU141611	DIN CORD		
A 17	PU141164	DOM LIGHT WIRE		
A 18	PU141942	POWER CORD		
A 19	PURC9000	W.LESS REMOCON		

# JVC

## SCHEMATIC DIAGRAMS

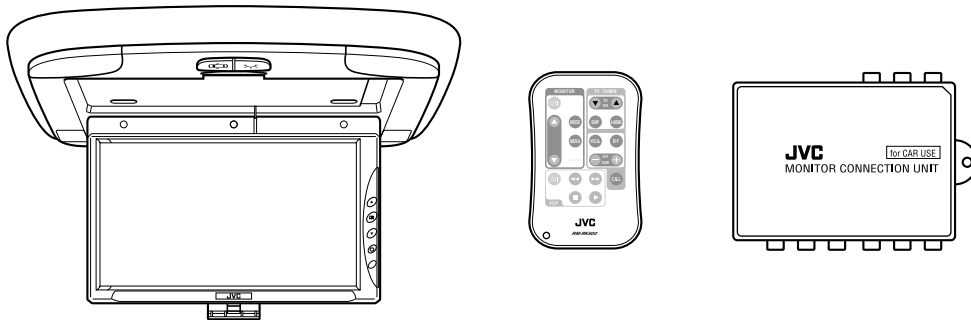
### 9-INCH WIDE COLOR MONITOR

# KV-MR9000

CD-ROM No.SML200311

#### Area Suffix


J ----- Northern America  
E ----- Continental Europe  
U ----- Other Areas



### Contents

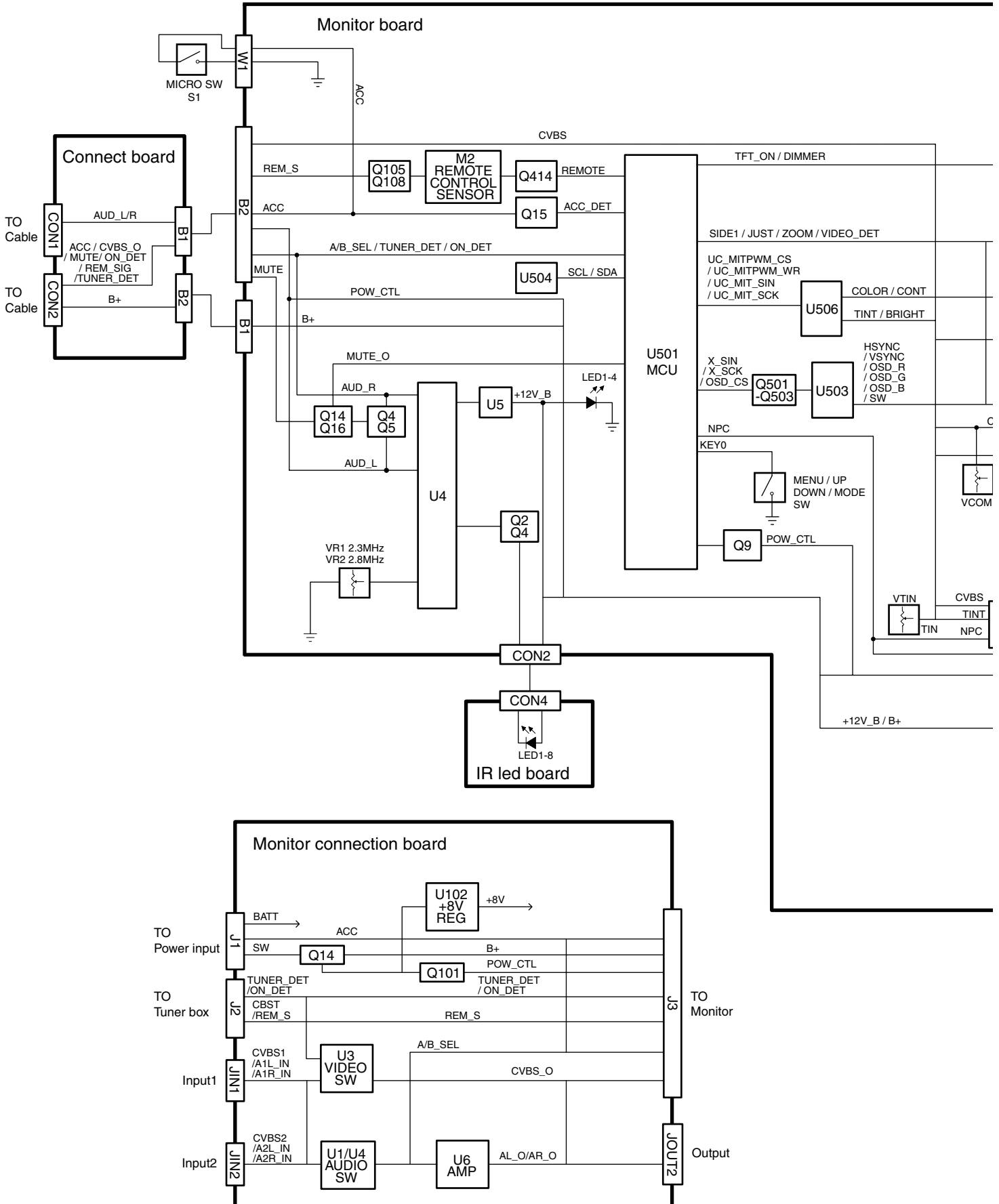
Block diagram .....	2-1
Standard schematic diagrams .....	2-3
Printed circuit boards .....	2-11 to 14

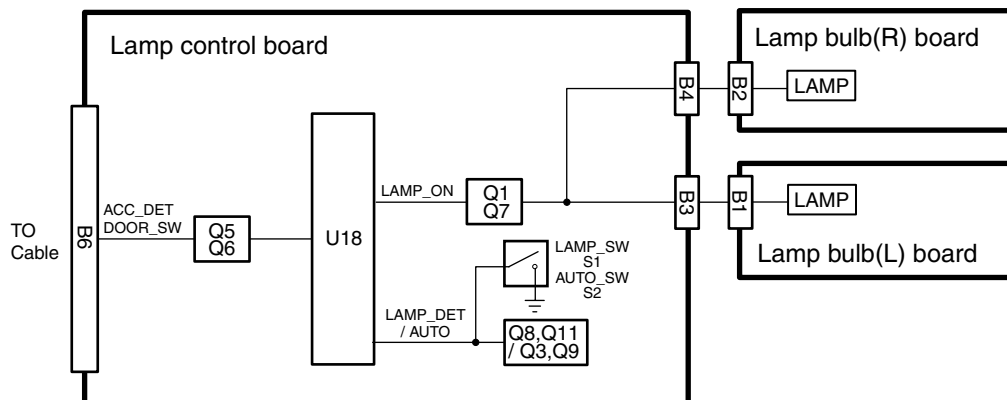
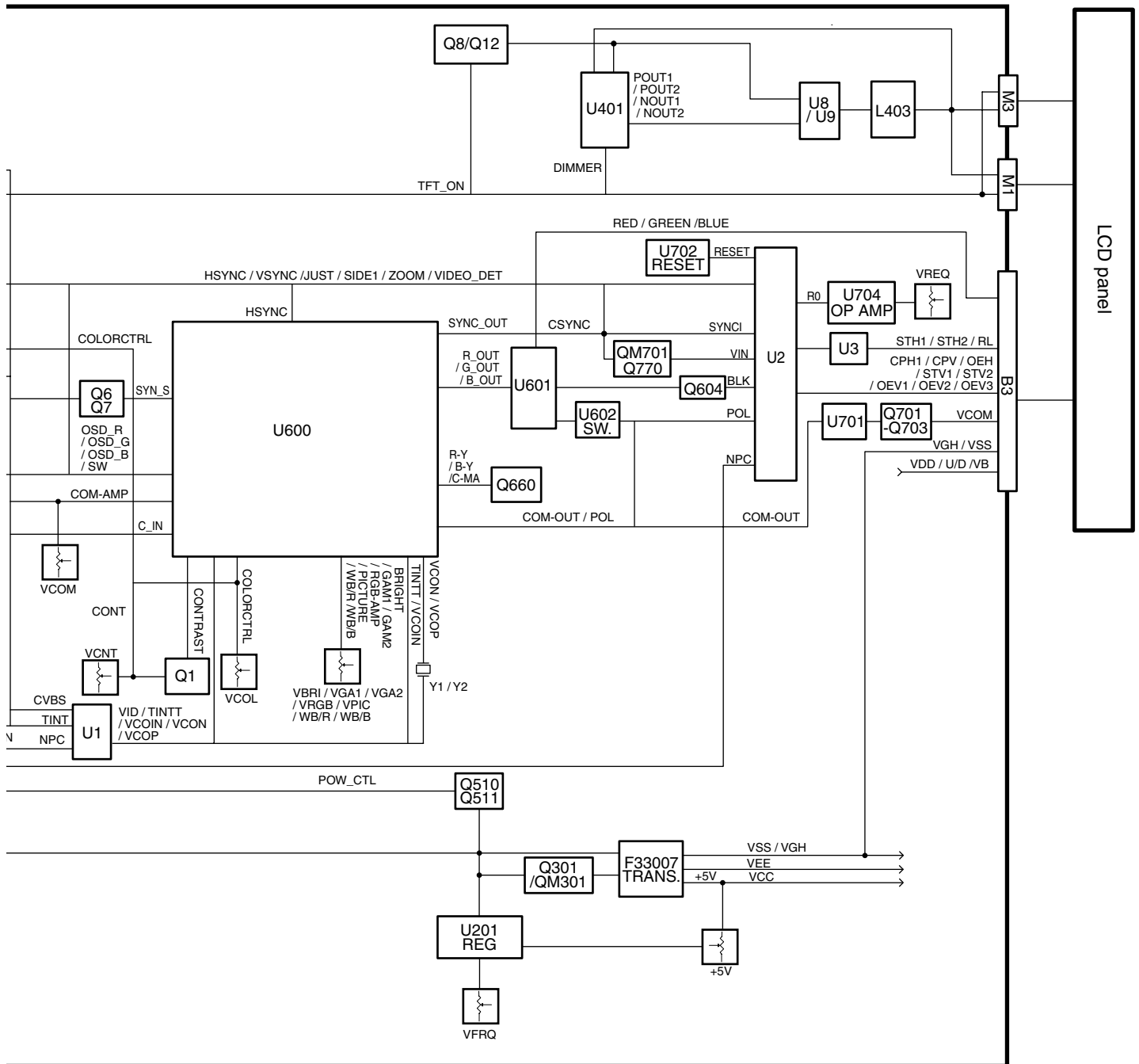
## Safety precaution

 **CAUTION** Burrs formed during molding may be left over on some parts of the chassis. Therefore, pay attention to such burrs in the case of performing repair of this system.

< MEMO >

# Block diagram

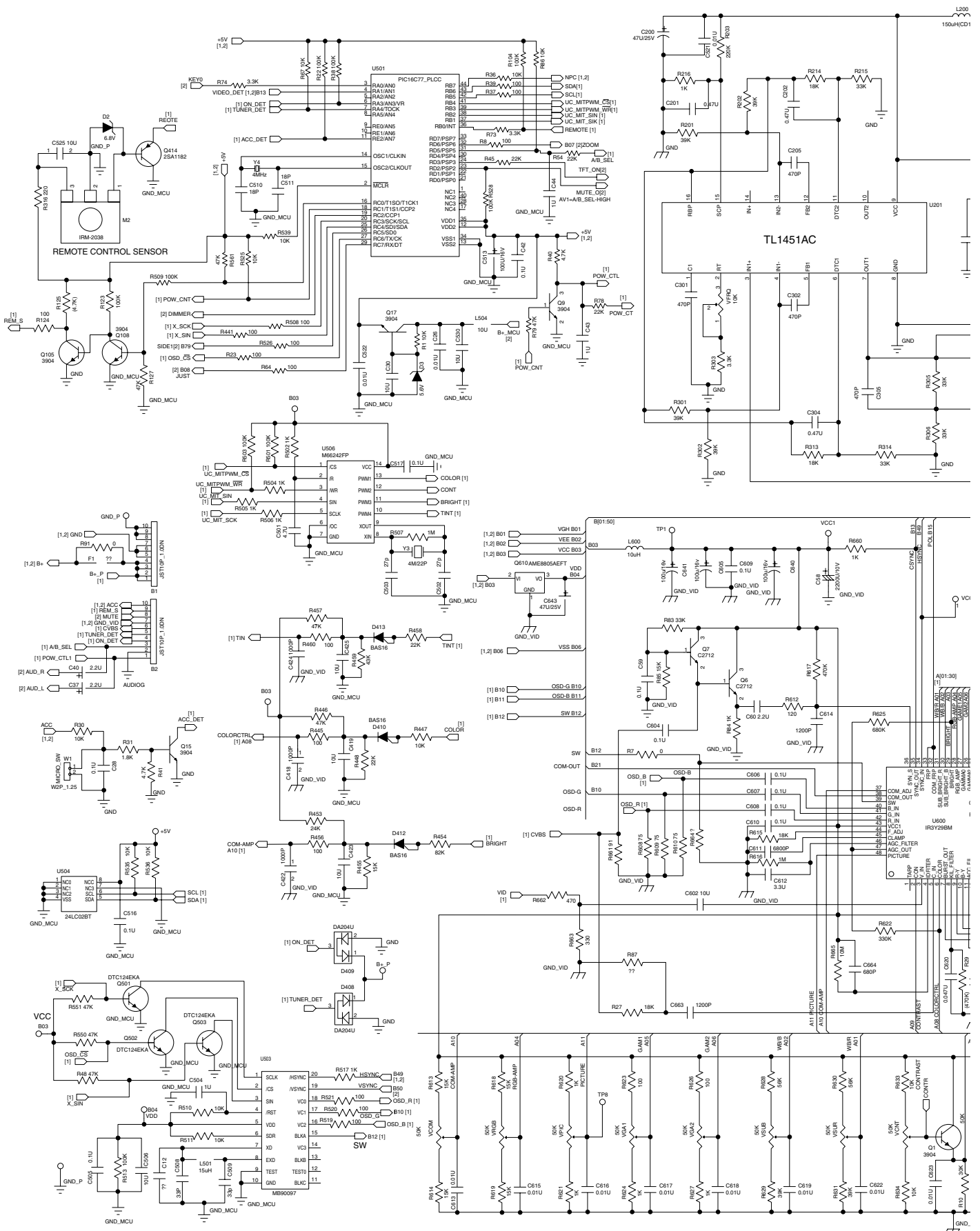


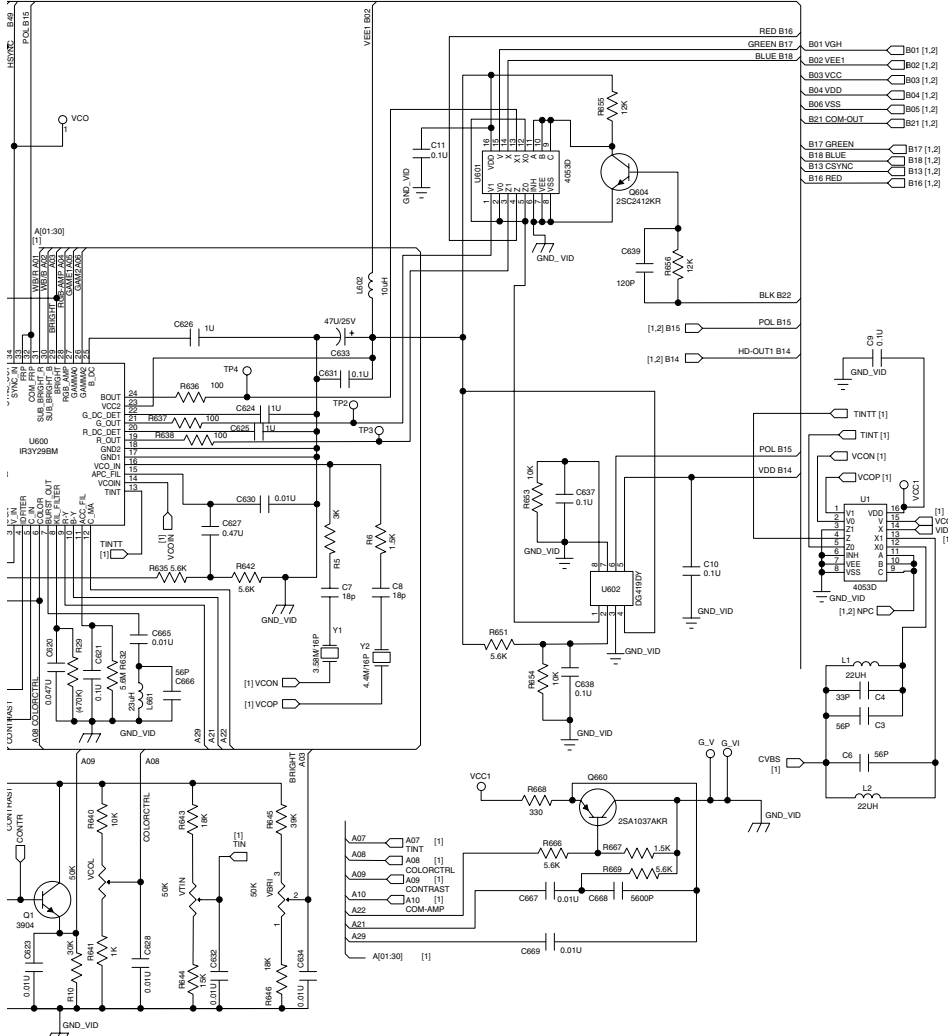
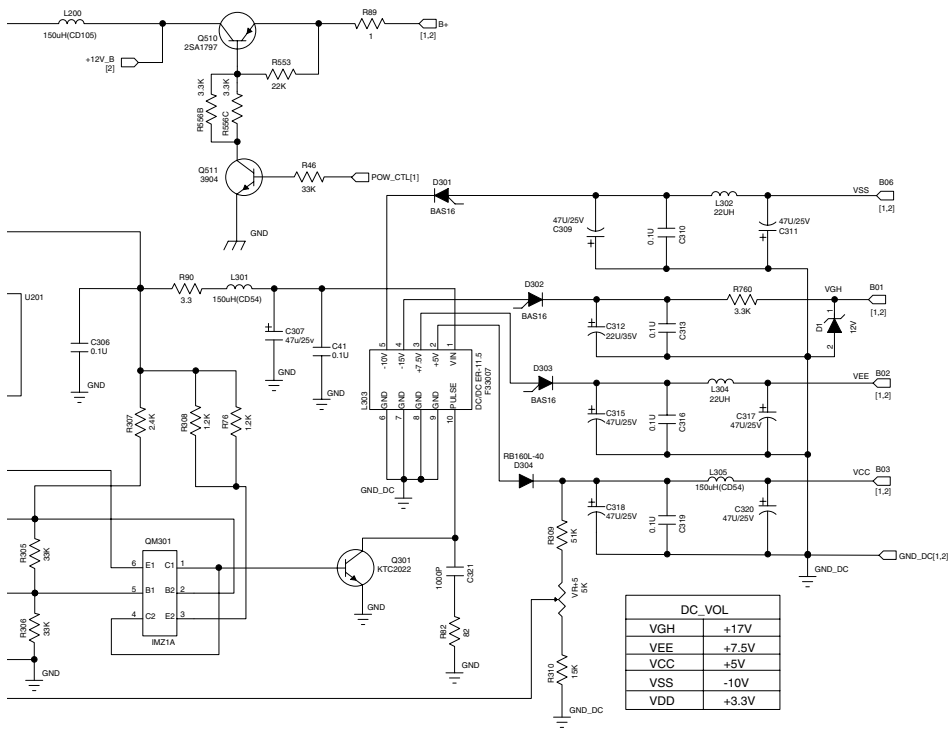




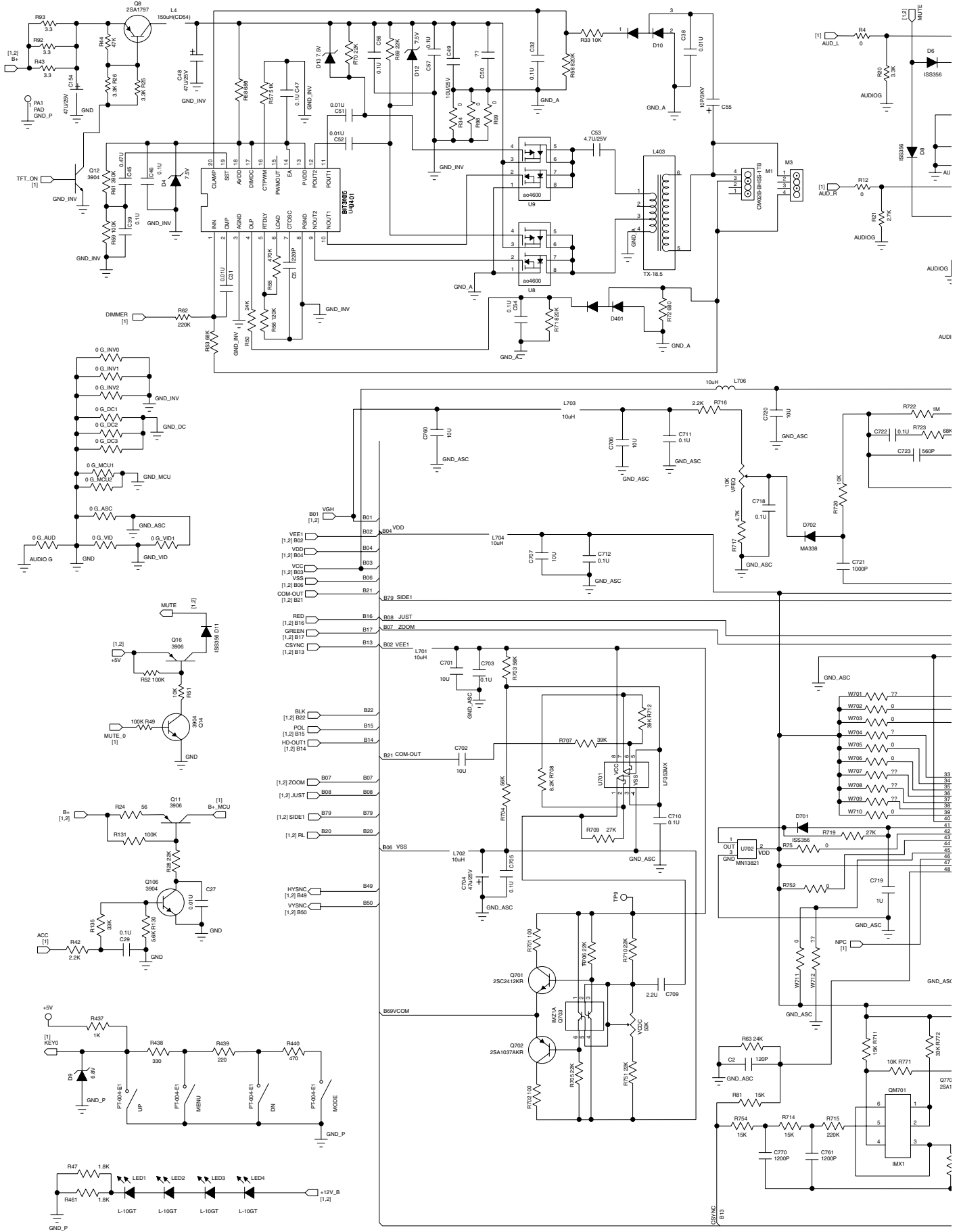
# Standard schematic diagrams

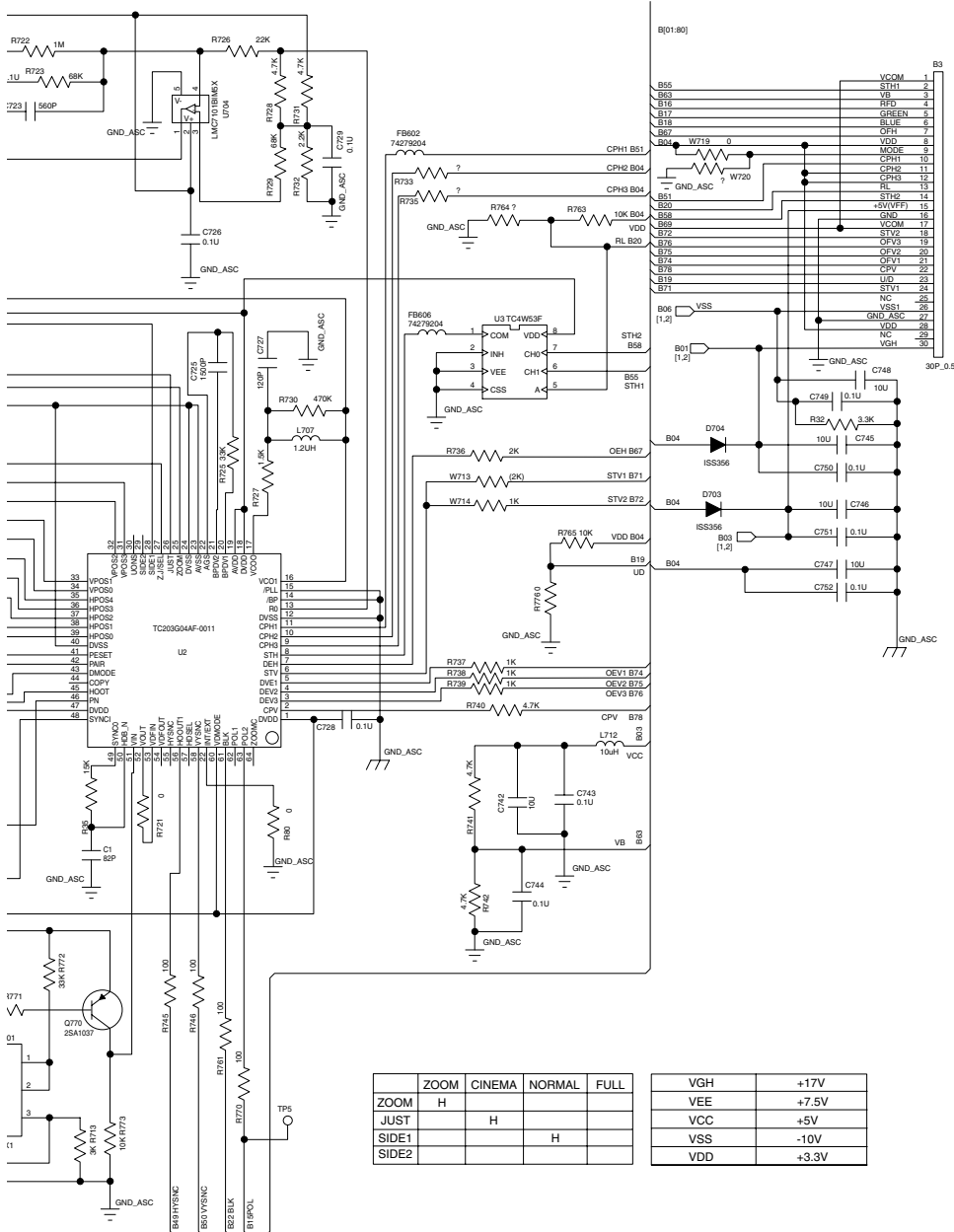
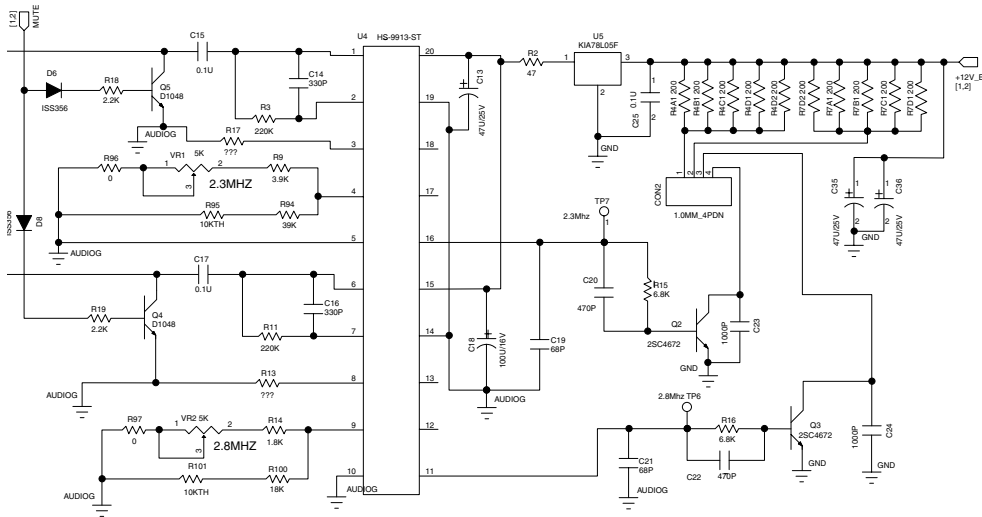
## Monitor section (1/2)





# Monitor section (2/2)



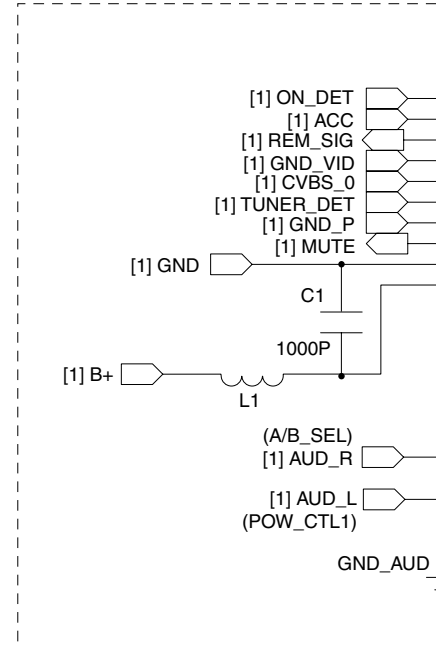
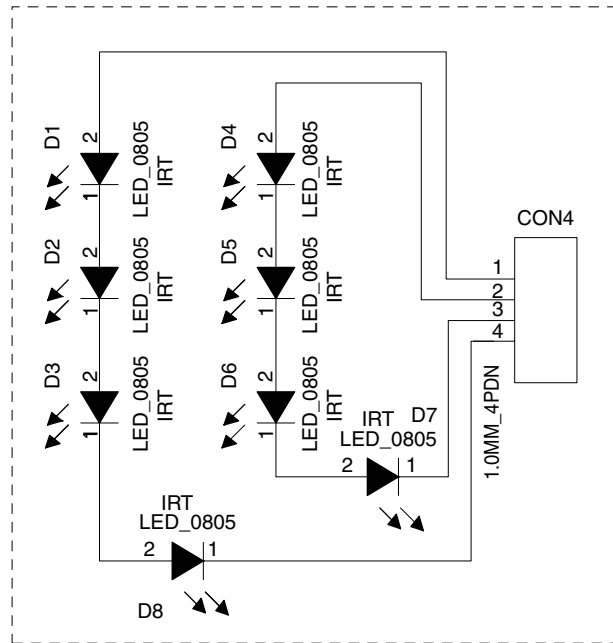
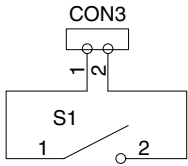


	ZOOM	CINEMA	NORMAL	FULL	VGH	+17V
ZOOM	H				VEE	+7.5V
JUST		H			VCC	+5V
SIDE1			H		VSS	-10V
SIDE2				H	VDD	+3.3V

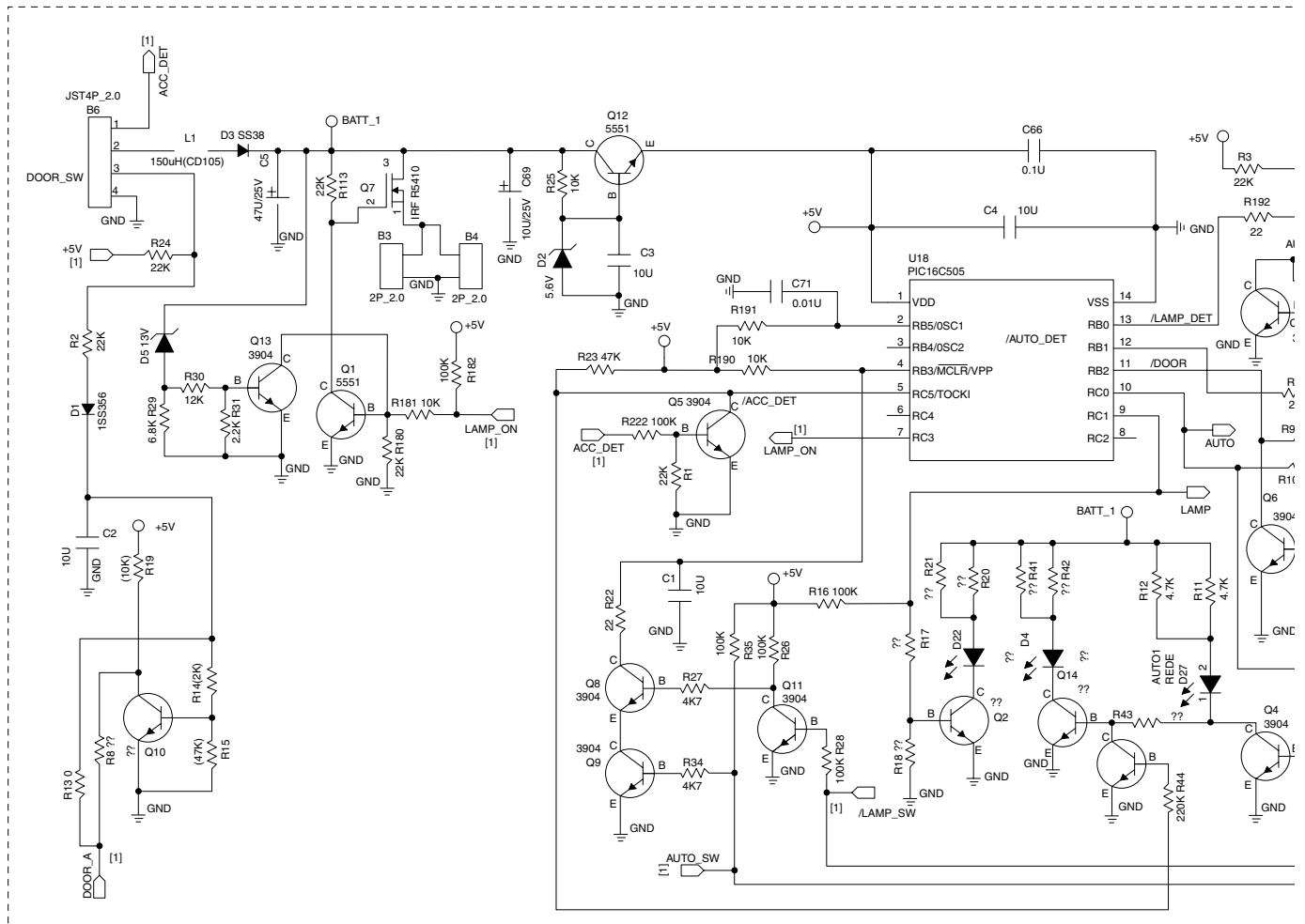
# Micro sw / IR led / Connect / Lamp control / Lamp bulb section

## IR led section

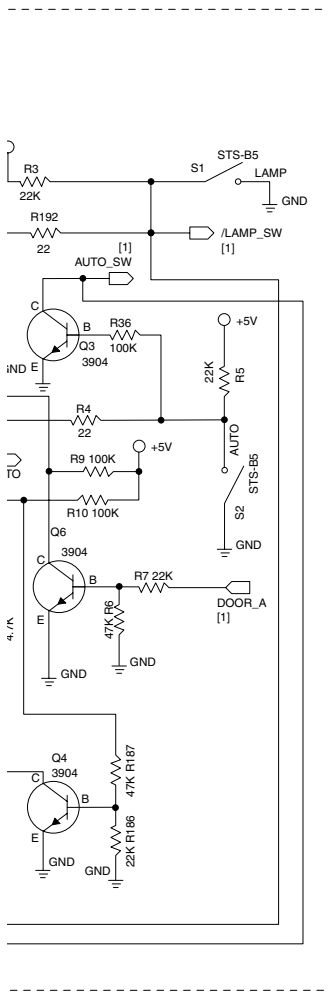
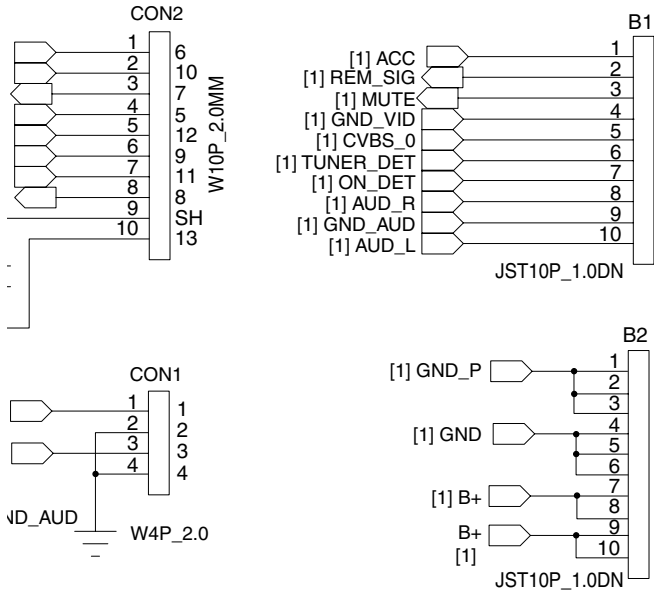
### Micro sw section



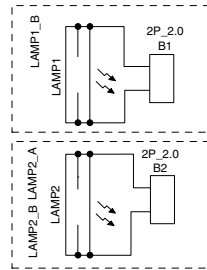
## Lamp control section



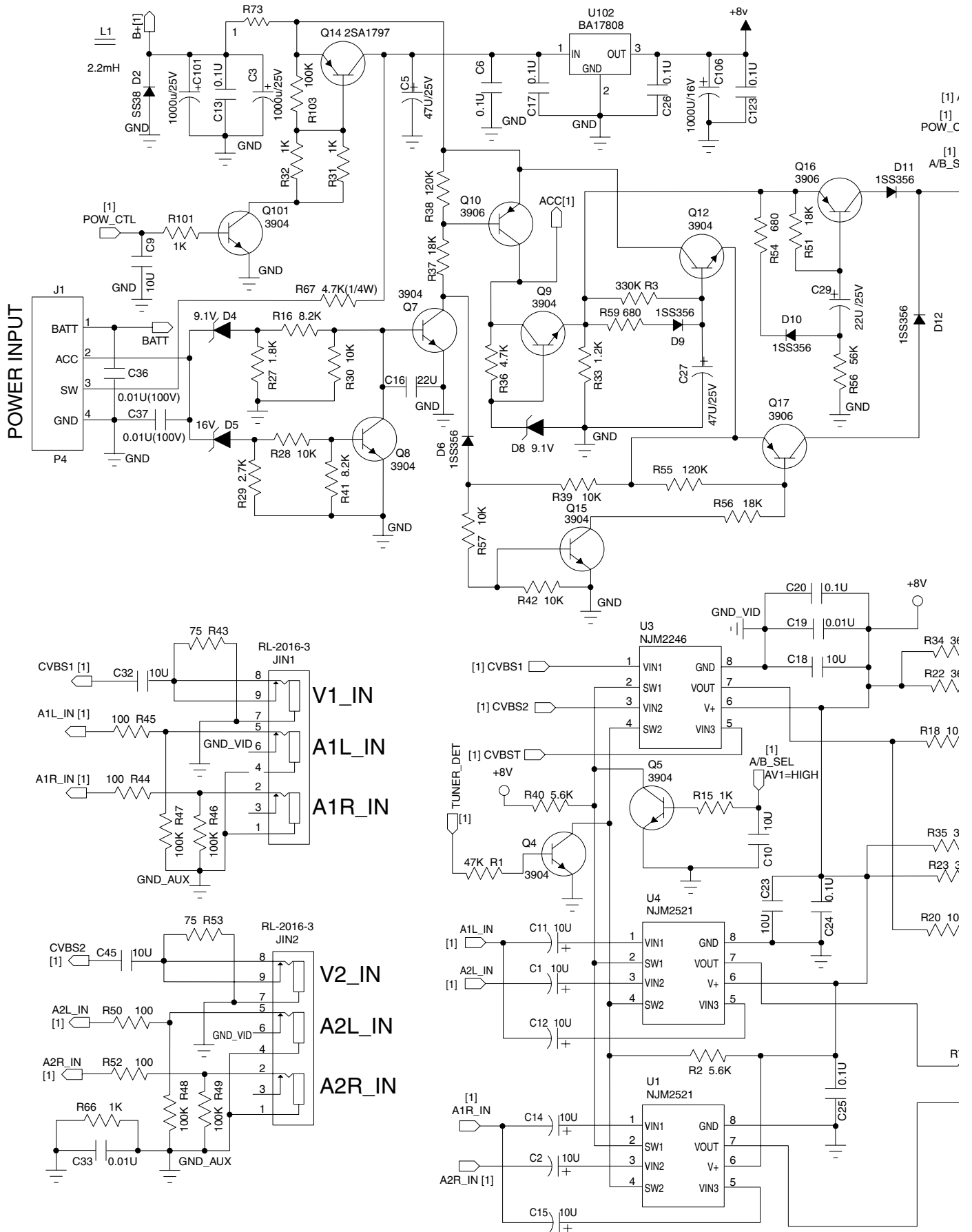
### Connect section

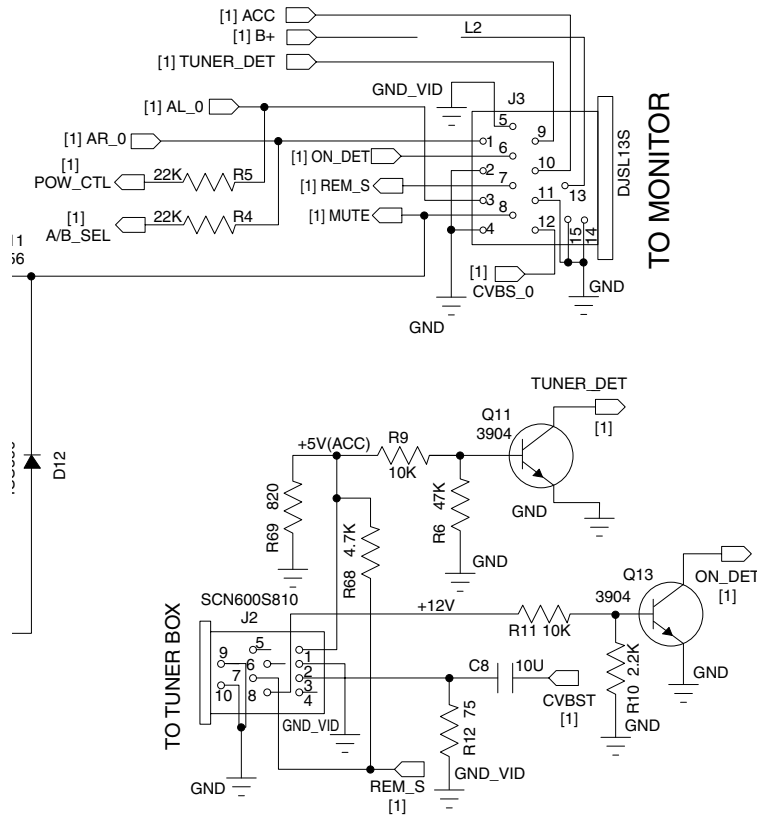


### Lamp bulb section

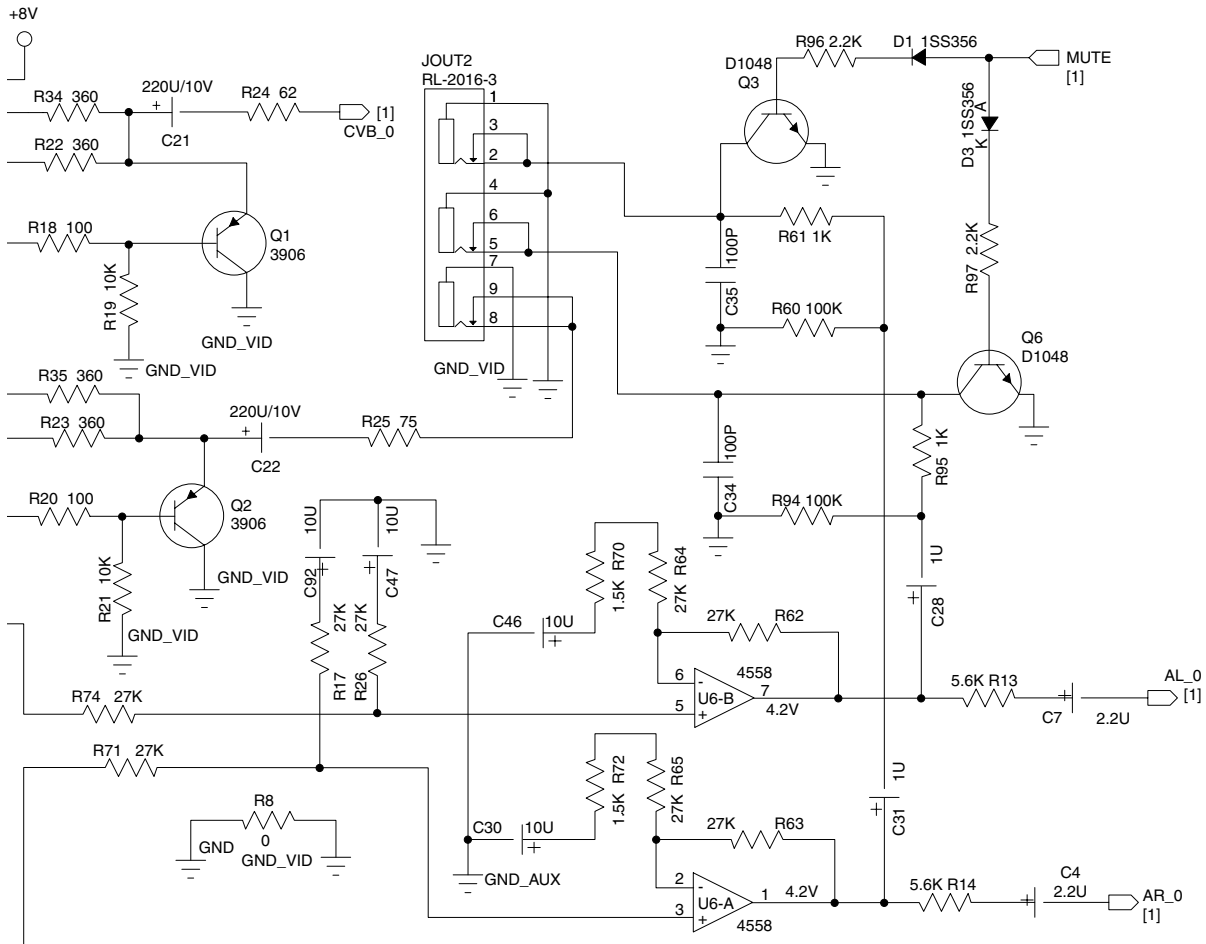


# Monitor connection unit section





SW1	SW2	OUT
L	L	VIN1
H	L	VIN2
L/H	H	VIN3

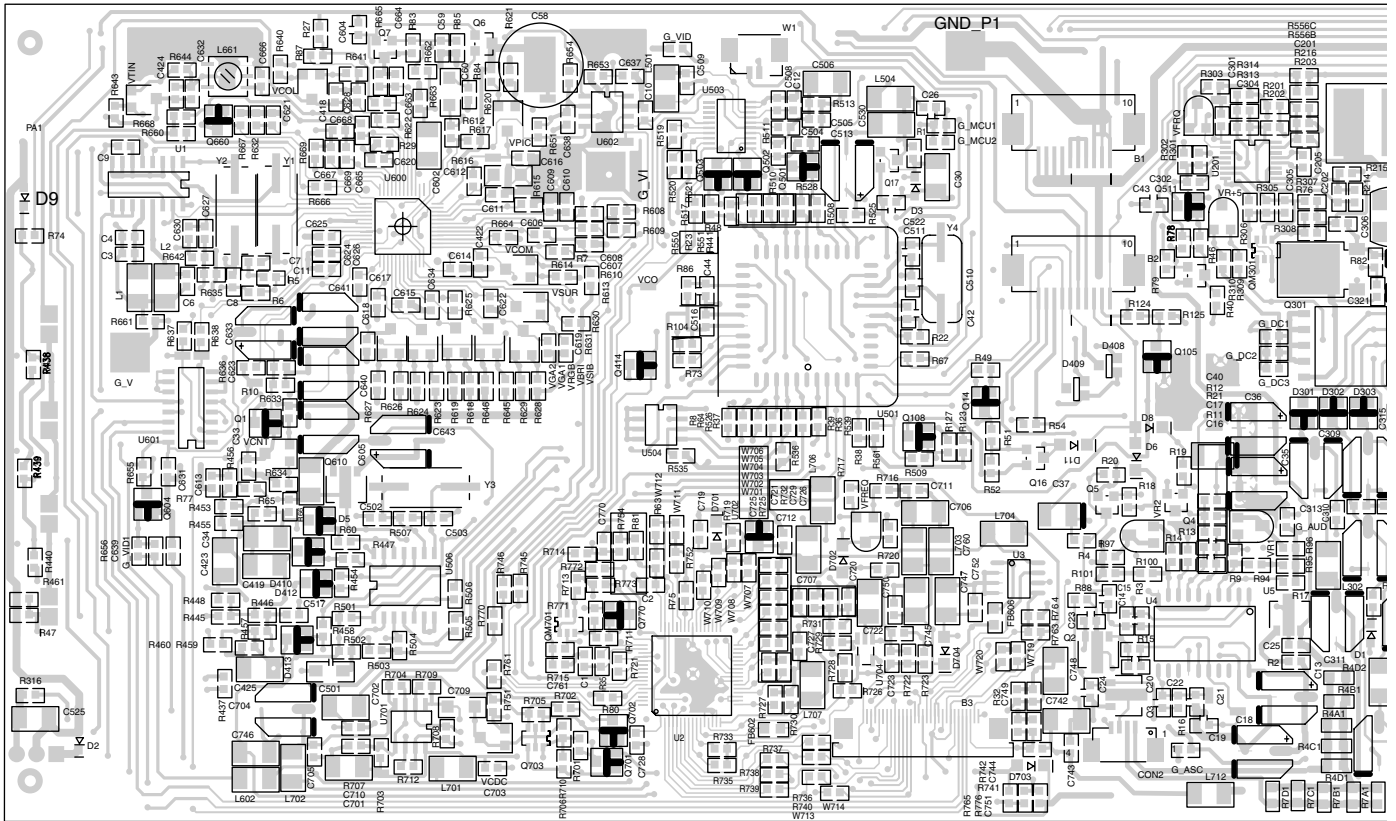




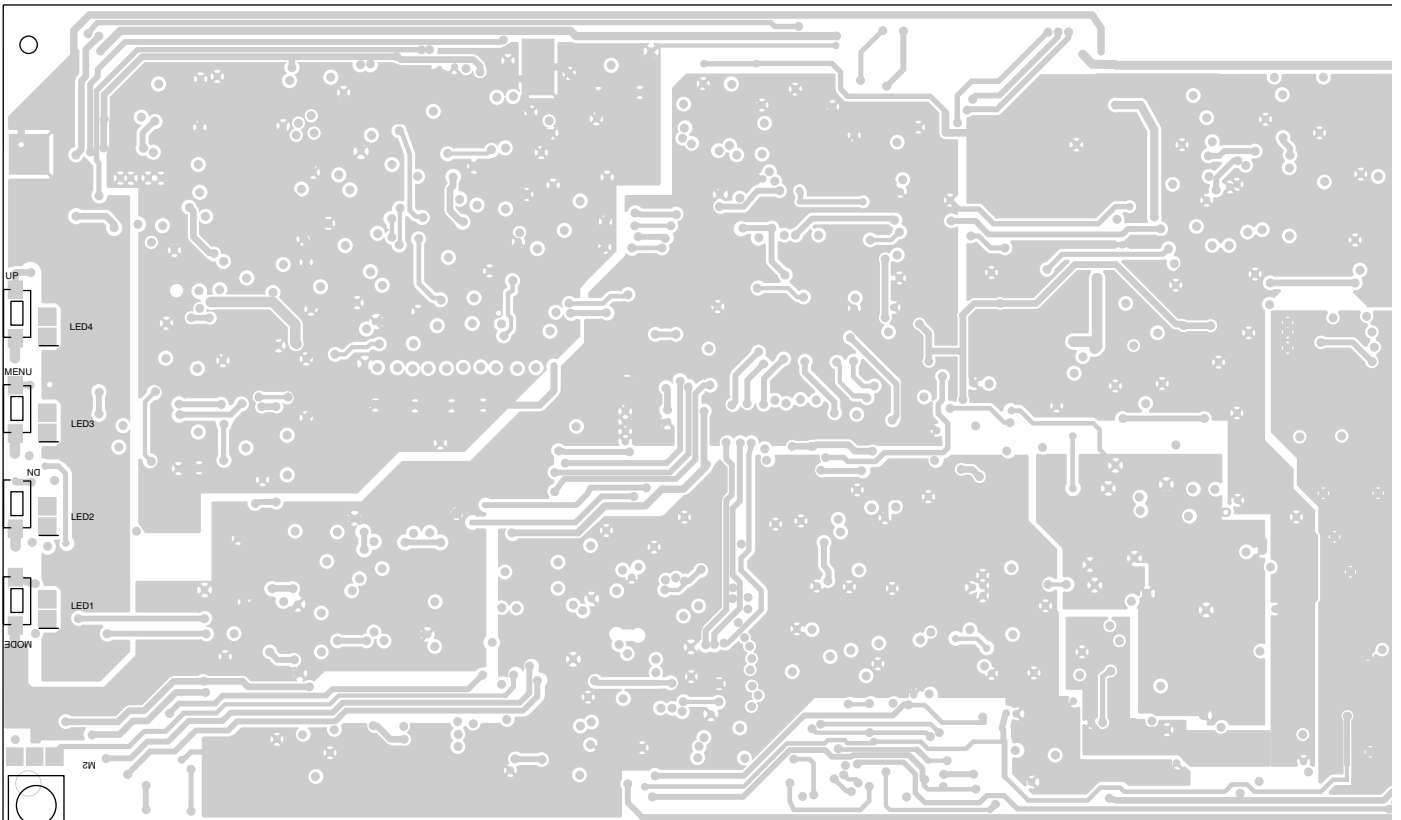
# Printed circuit boards

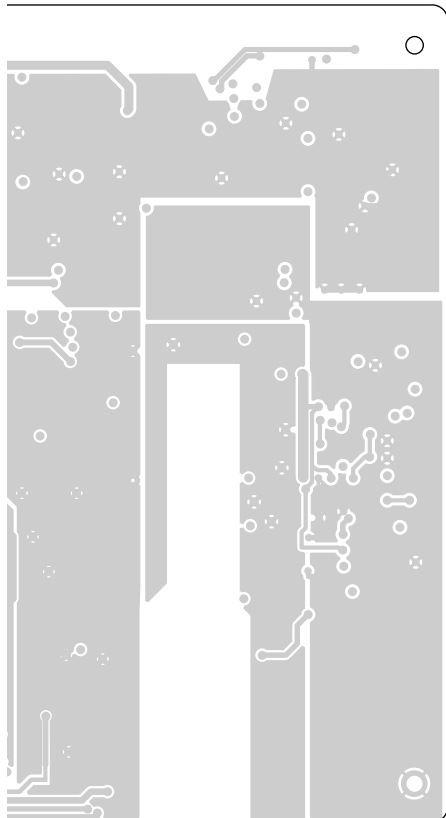
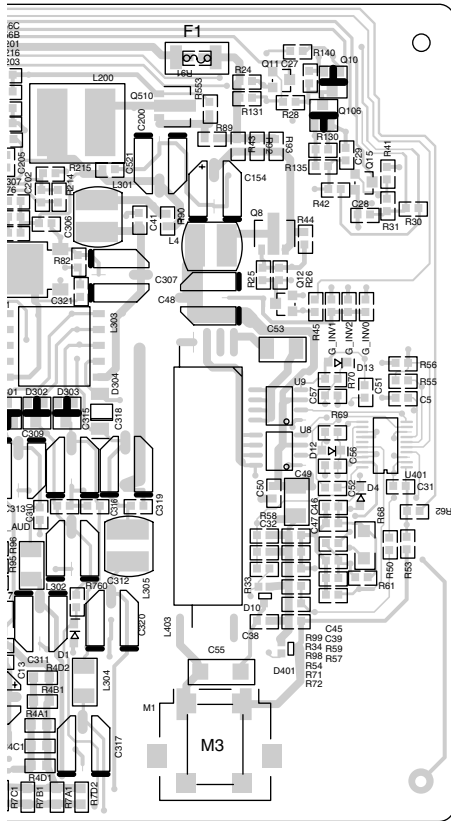
## ■ Monitor board

Forward side



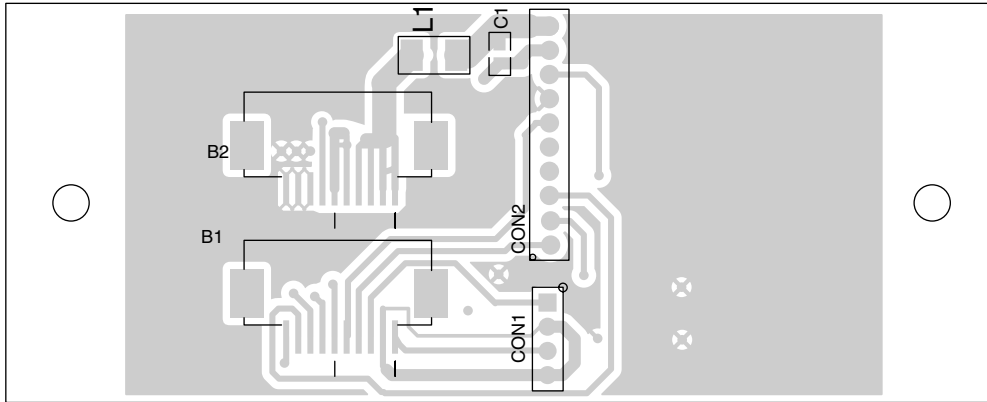
Reverse side



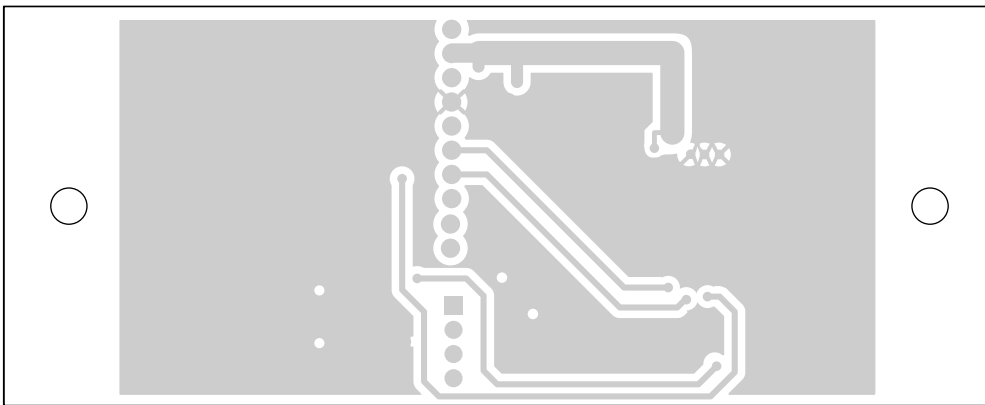


## ■ Connection board

Forward side

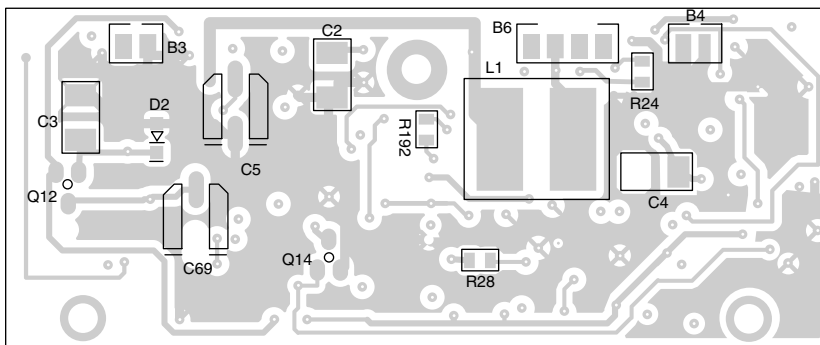


Reverse side

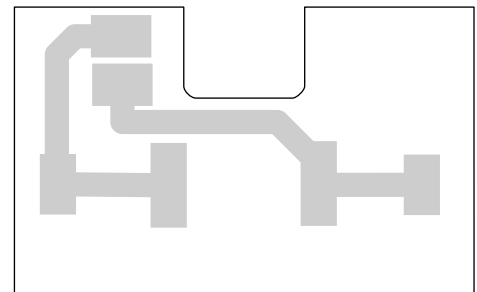


## ■ Lamp control

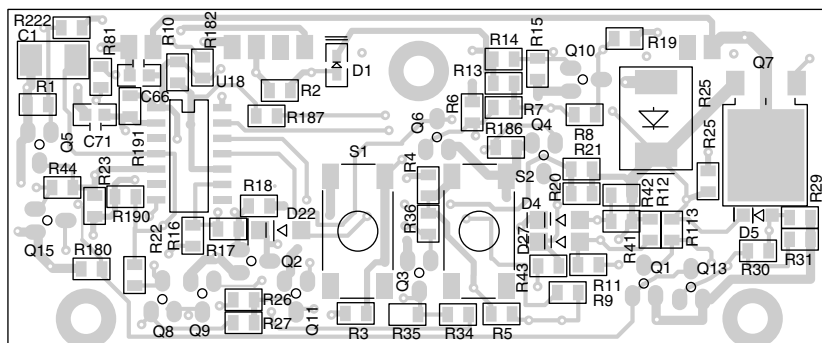
Forward side



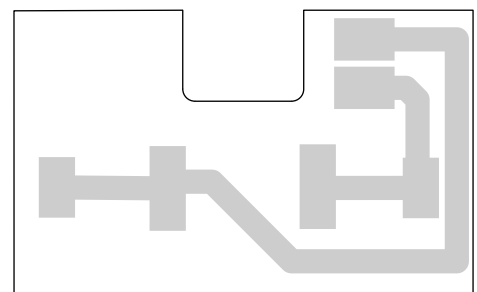
Lamp bulb board (L)



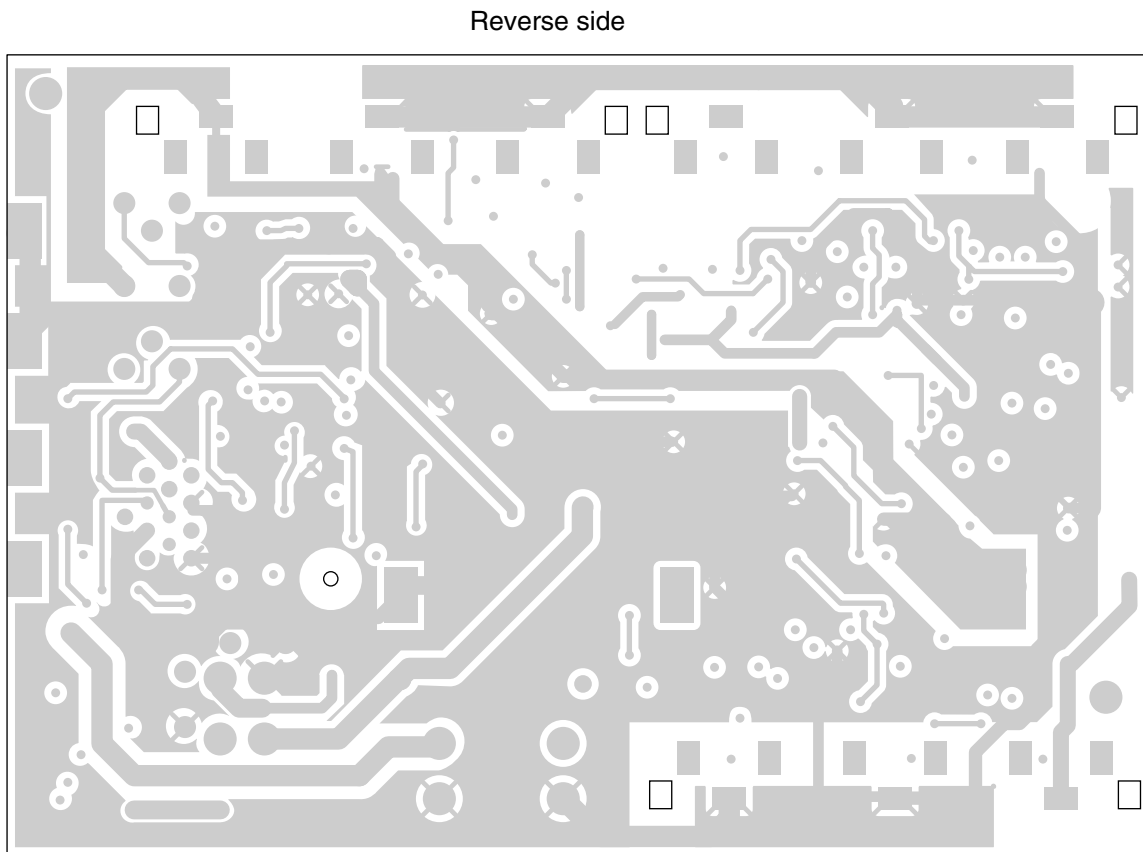
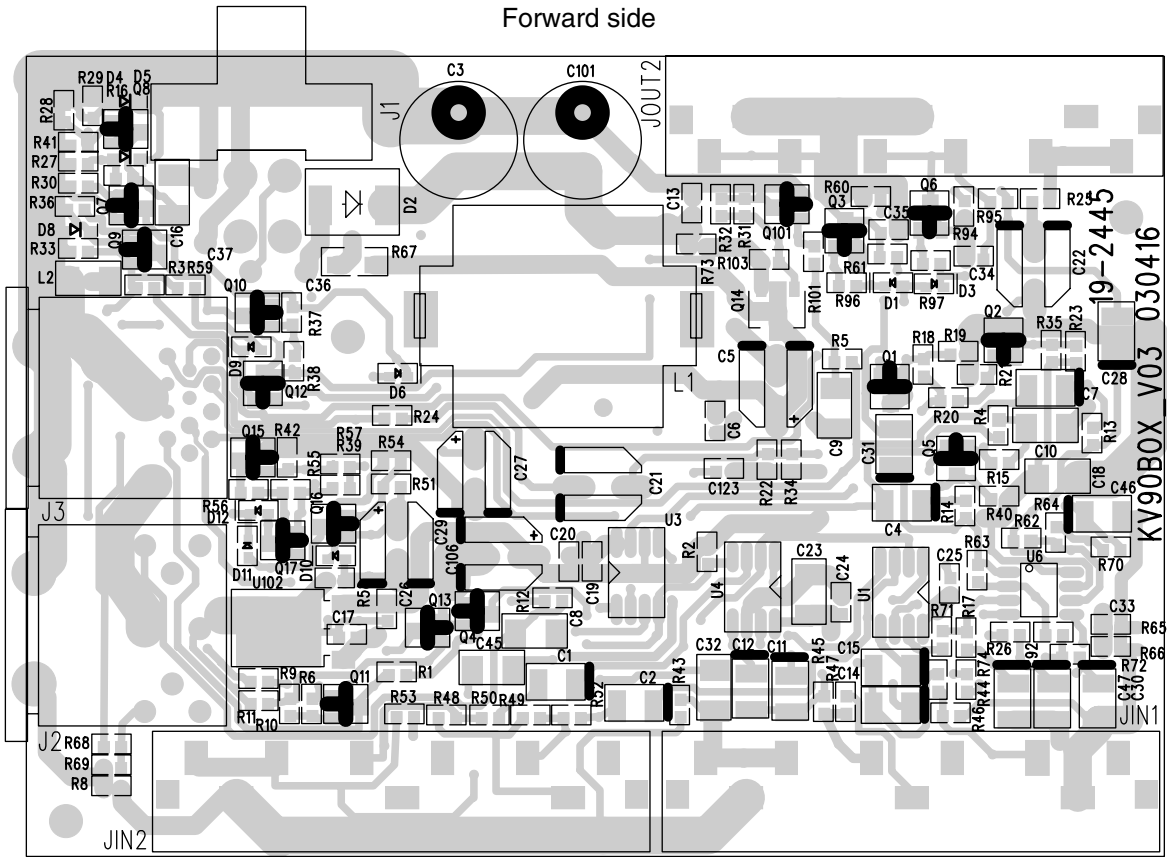
Reverse side



Lamp bulb board (R)



# Monitor connection board



**JVC**

**VICTOR COMPANY OF JAPAN, LIMITED**

AV & MULTIMEDIA COMPANY MOBILE ENTERTAINMENT CATEGORY 10-1,1chome,Ohwatari-machi,Maebashi-city,371-8543,Japan

(No.49785SCH)



Printed in Japan  
WPC